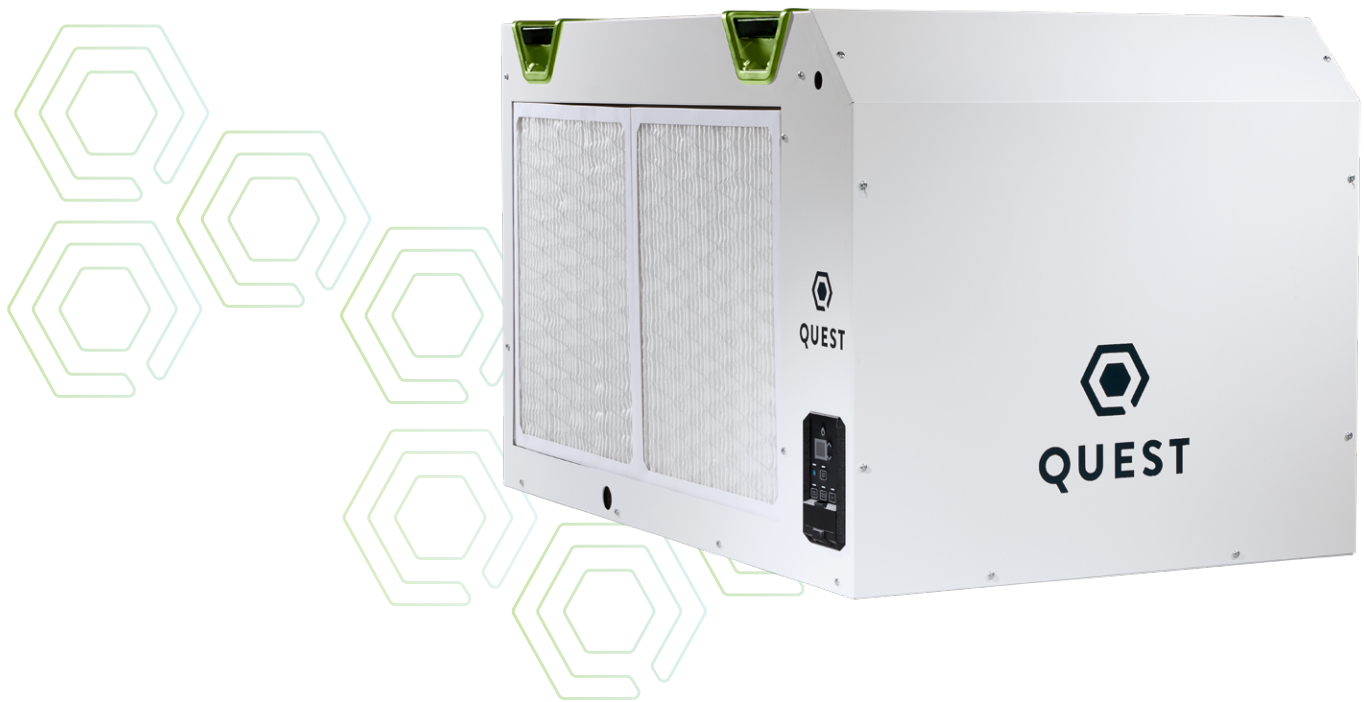


# INTAKE AND EXHAUST DUCT KIT



## FOR QUEST MODELS:

#4046300, #4046310, #4046320, #4046320-XX

---

This duct kit was designed specifically for the Quest 6-Series *second-generation* models: Quest 506, Quest 746, and Quest 700. These duct adapters will not work for previous generation 6-Series units. Before proceeding, please check that your dehumidifier part number matches one of the above model numbers.

# EXHAUST DUCT INSTALLATION GUIDE

FOR DEHUMIDIFIER MODELS: #40463XX



SEE YOUR DEHUMIDIFIER  
OWNER'S MANUAL FOR MORE  
DETAILS ON DUCTING.

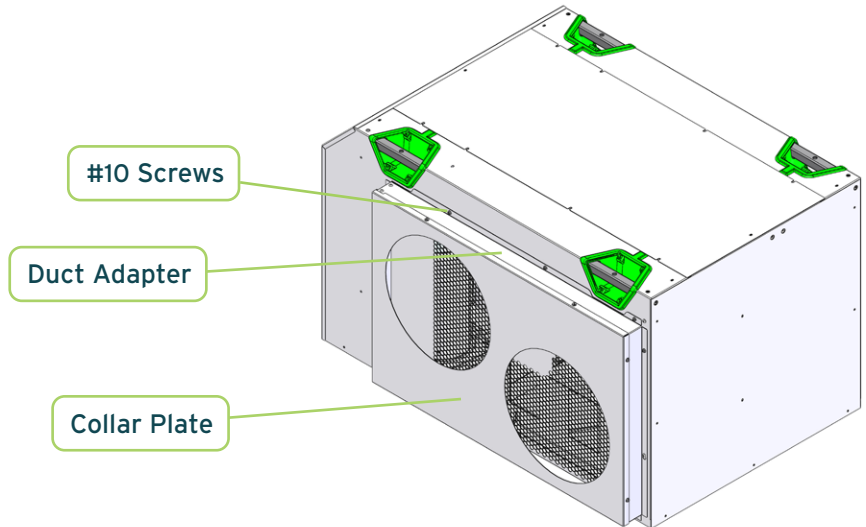


## PARTS INCLUDED:

1. Exhaust Duct Adapter (1)
2. 14" Collar Plate (1)
3. #10 Screws (6 new, 4 from dehumidifier)

## TOOLS REQUIRED:

1. Quest 6-Series Dehumidifier (Gen 2)
2. T-25 Torx Bit
3. 1/8" Drill Bit
4. Drill

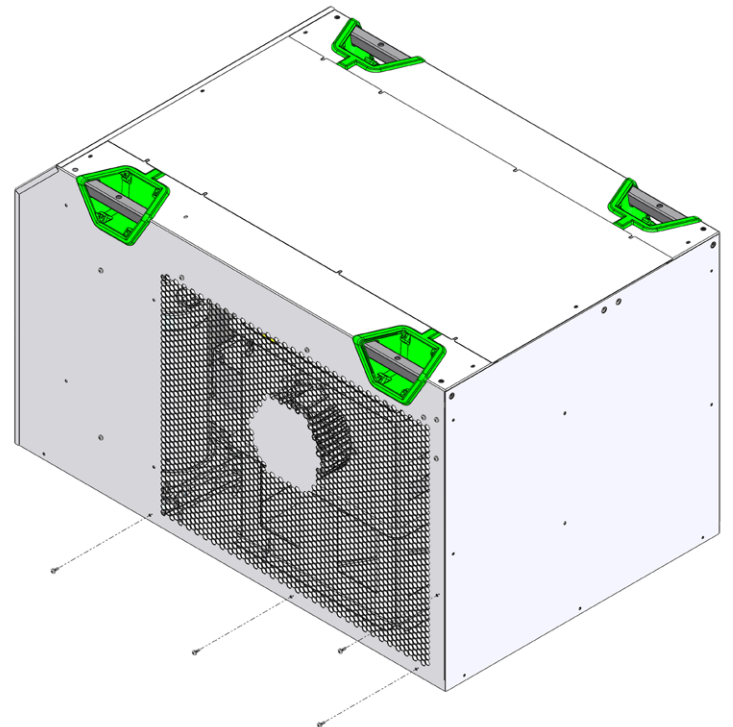


**⚠ CAUTION** Before installing duct kit, disconnect dehumidifier from electrical power.

## AIR CAN EXIT THE UNIT IN TWO WAYS: ROUND OR RECTANGULAR DUCTS

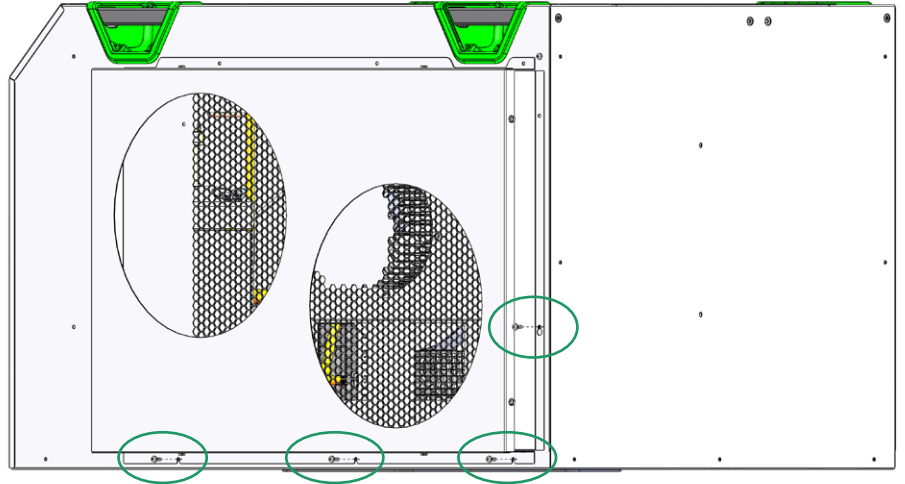
### **A** IF USING 14 INCH ROUND DUCTS (NOT INCLUDED)

1. If using round ducts, attach 14" duct starts (NOT PROVIDED) to both 14" duct openings. Fasteners are not provided. If using rectangular duct, proceed to step 2.
2. Attach Duct Adapter to dehumidifier using six of the provided screws. Four screws will be reused from the dehumidifier, the rest will be used for new drilled holes.
  - a. Loosen 4 screws as shown to the right.

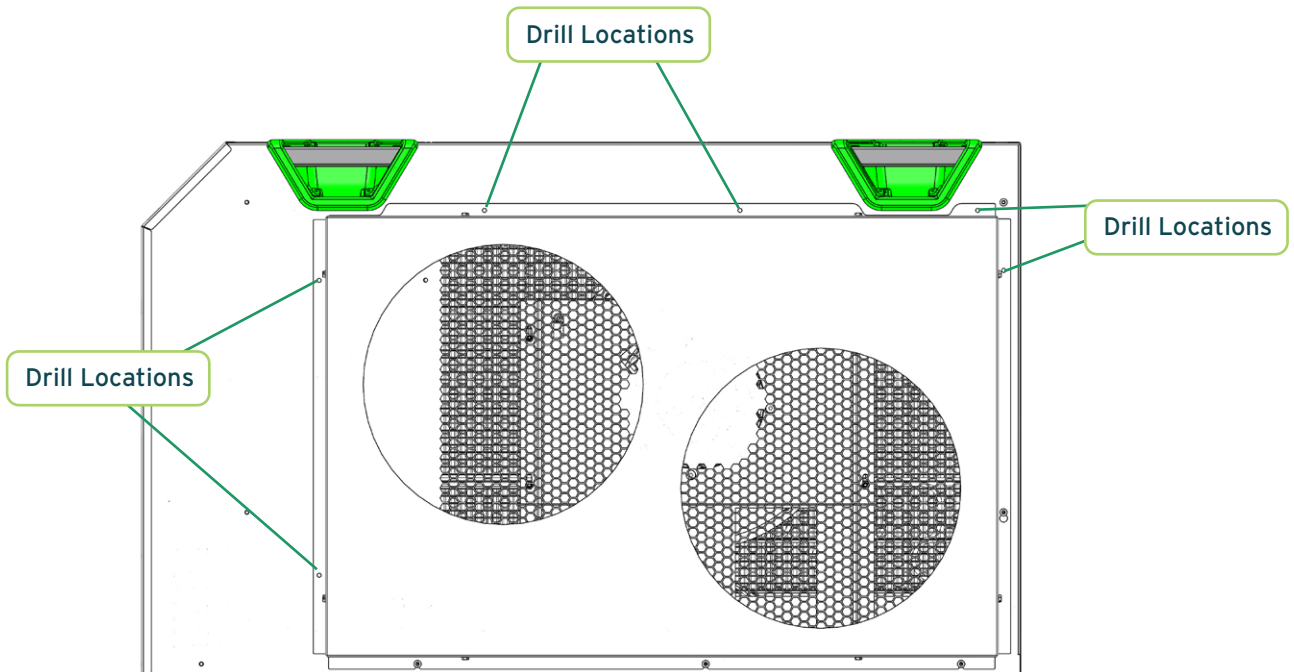


**⚠ CAUTION** See dehumidifier manual for safe drill zones. When ducting the unit, a dedicated duct system is recommended for each unit. Recommended 25' max run of ducting.

- b. Hang duct adapter onto dehumidifier using the four screws from previous step and re-tighten.

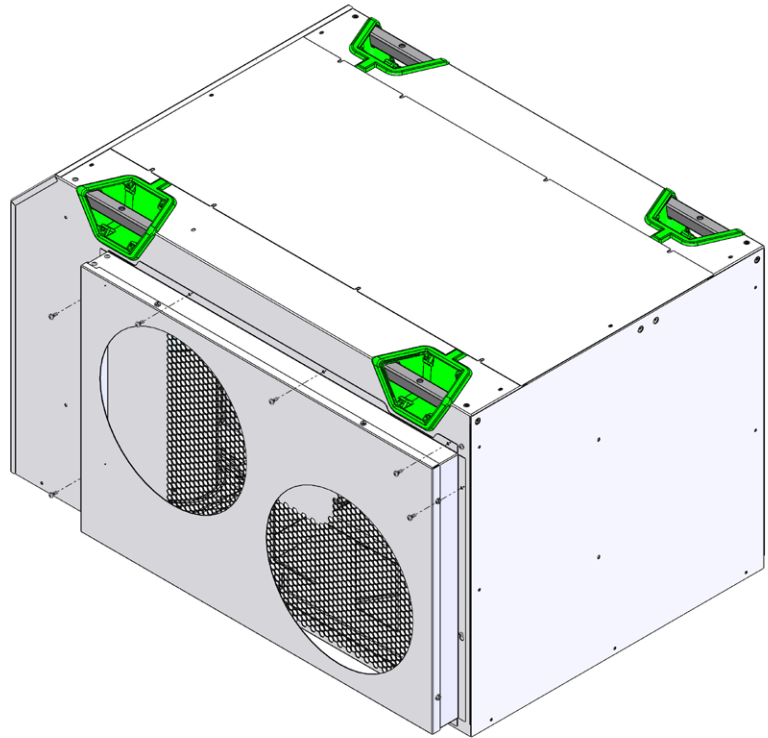


- c. With the duct adapter in place, drill holes into dehumidifier frame at the six identified locations.



**SEE DEHUMIDIFIER MANUAL FOR ALL SAFE DRILL ZONES.**

- d. Install 6 provided screws at drilled locations.



**B IF USING RECTANGULAR DUCTS** (NOT INCLUDED)

3. Remove Collar Plate from Duct Adapter for rectangular duct installation. It will not be needed.
4. Attach rectangular ducting (not provided) directly onto duct adapter.

**⚠ CAUTION** See dehumidifier manual for safe drill zone diagram. When ducting the unit, a dedicated duct system is recommended for each unit. Recommended 25' max run of ducting.

# INTAKE DUCT INSTALLATION GUIDE

FOR DEHUMIDIFIER MODELS: #40463XX



SEE YOUR DEHUMIDIFIER  
OWNER'S MANUAL FOR MORE  
DETAILS ON DUCTING.

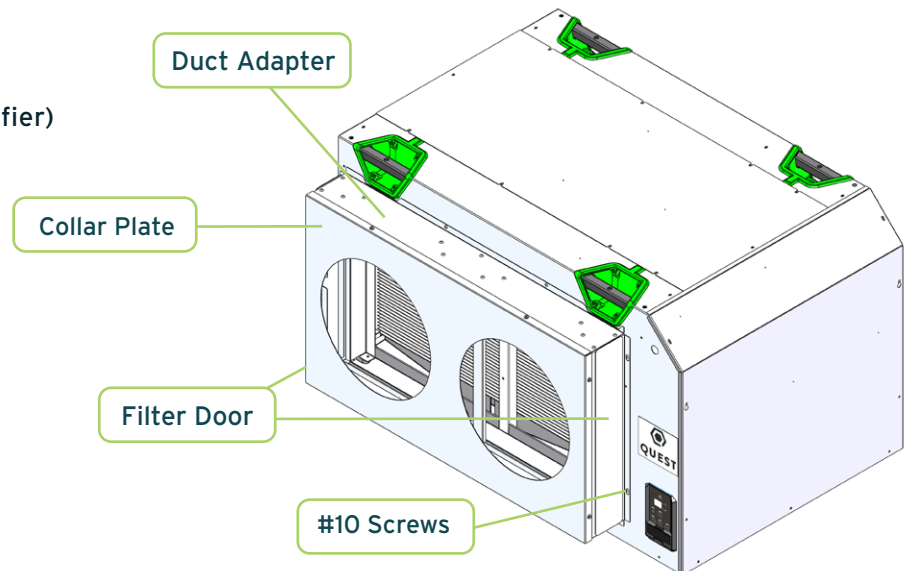


## PARTS INCLUDED:

1. Intake Duct Adapter - 36" x 21" (1)
2. Filter Door (2)
3. #10 Screws (6 new, 3 from dehumidifier)
4. 14" Collar Plate (1)

## TOOLS REQUIRED:

1. Quest 6-Series Dehumidifier (Gen 2)
2. T-25 Torx Bit
3. 1/8" Drill Bit
4. Drill



**⚠ CAUTION** Before installing duct kit, disconnect dehumidifier from electrical power.

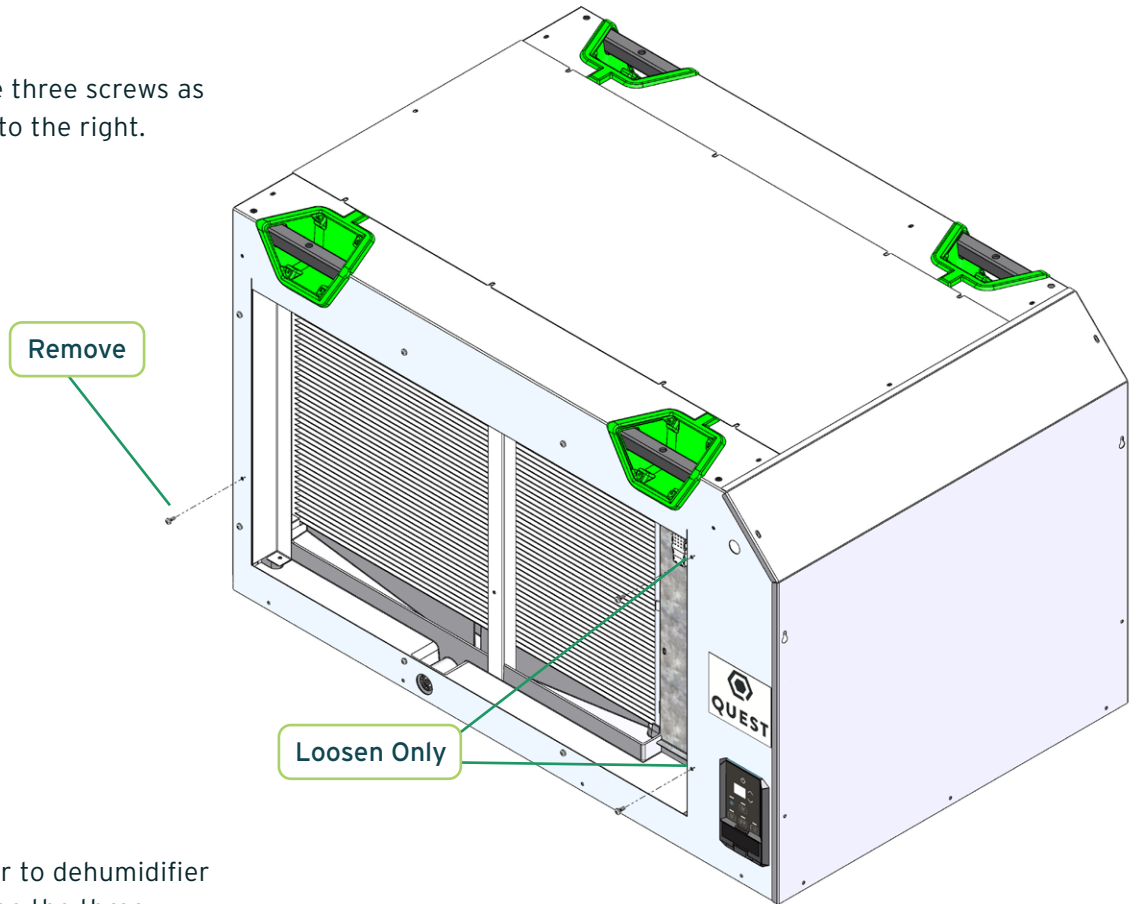
## INSTALL CONDENSATE PIPING PRIOR TO INSTALLING INLET DUCTWORK.

A p-trap is required. See dehumidifier manual for details.

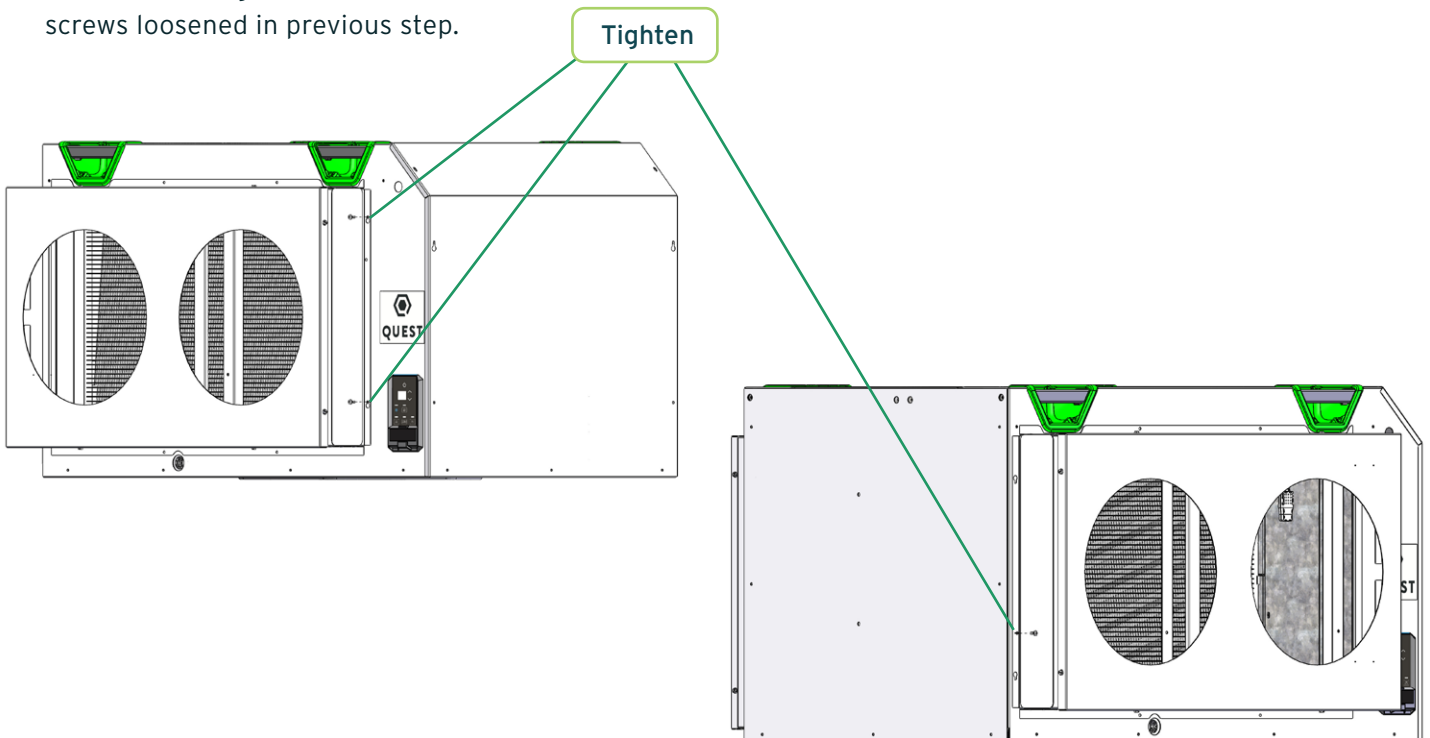
### **A** IF USING 14 INCH ROUND DUCTS (NOT INCLUDED)

1. Install condensate piping prior to installing inlet ductwork. A p-trap is required.
2. Remove both filters from the dehumidifier to use in the intake duct adapter provided.
3. If using round ducts, attach two 14" duct collar starts (not provided) to both 14" duct openings of the collar plate. Fasteners are not provided. If not using round ducts, proceed to next step.
4. Attach duct adapter to the dehumidifier using 9 screws. Three screws will be taken from the dehumidifier and reused, the six screws provided will be used for new holes drilled.

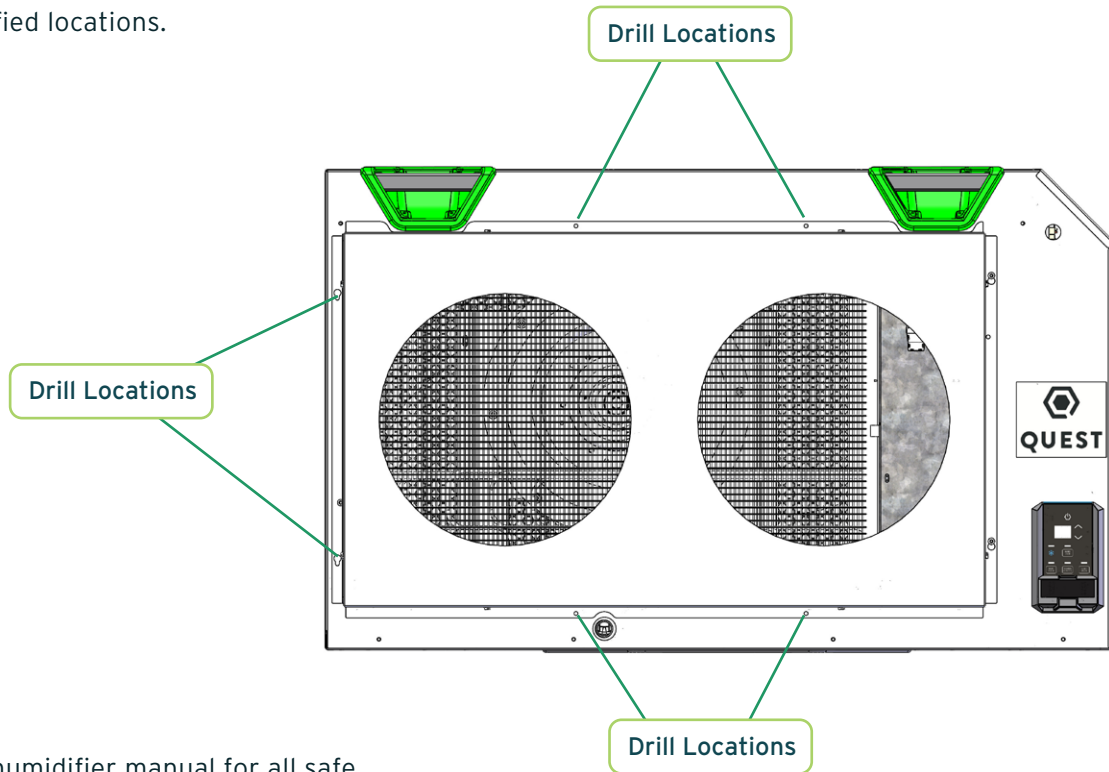
5. Loosen/remove the three screws as indicated in image to the right.



6. Attach duct adapter to dehumidifier intake and re-tighten the three screws loosened in previous step.



- With the duct adapter in place, drill holes into dehumidifier frame at the six identified locations.



- See dehumidifier manual for all safe drill zones.
- Open and remove filter doors, then slide filters into the duct adapter. NOTE AIRFLOW DIRECTION. Install filter doors back into position.

**B IF USING RECTANGULAR DUCT** (NOT INCLUDED)

- Remove collar plate from the duct adapter. It will not be needed for rectangular duct installation.
- Attach rectangular ducting (not provided) directly to the duct adapter.

**⚠ CAUTION** See dehumidifier manual for safe drill zones. When ducting the unit, a dedicated duct system is recommended for each unit. Recommended 25' max run of ducting.



FOR INTERNAL  
USE ONLY

