

Job Name: _____

Location: _____

Engineer: _____

Submitted to: _____

Submitted by: _____

Reference: _____

Date: _____

Approval: _____

Construction: _____

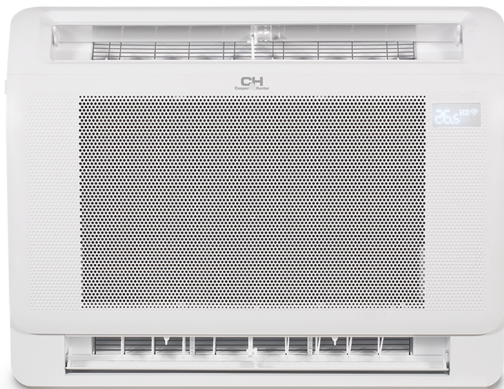
Unit #: _____

Drawing #: _____

KEY FEATURES:

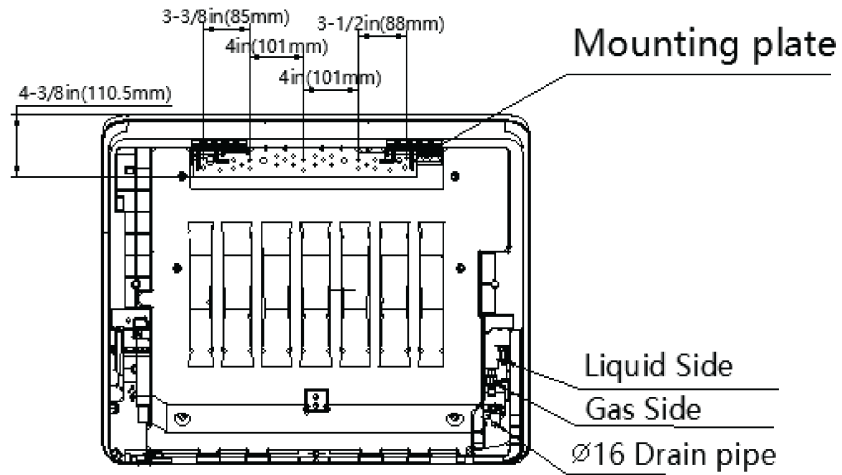
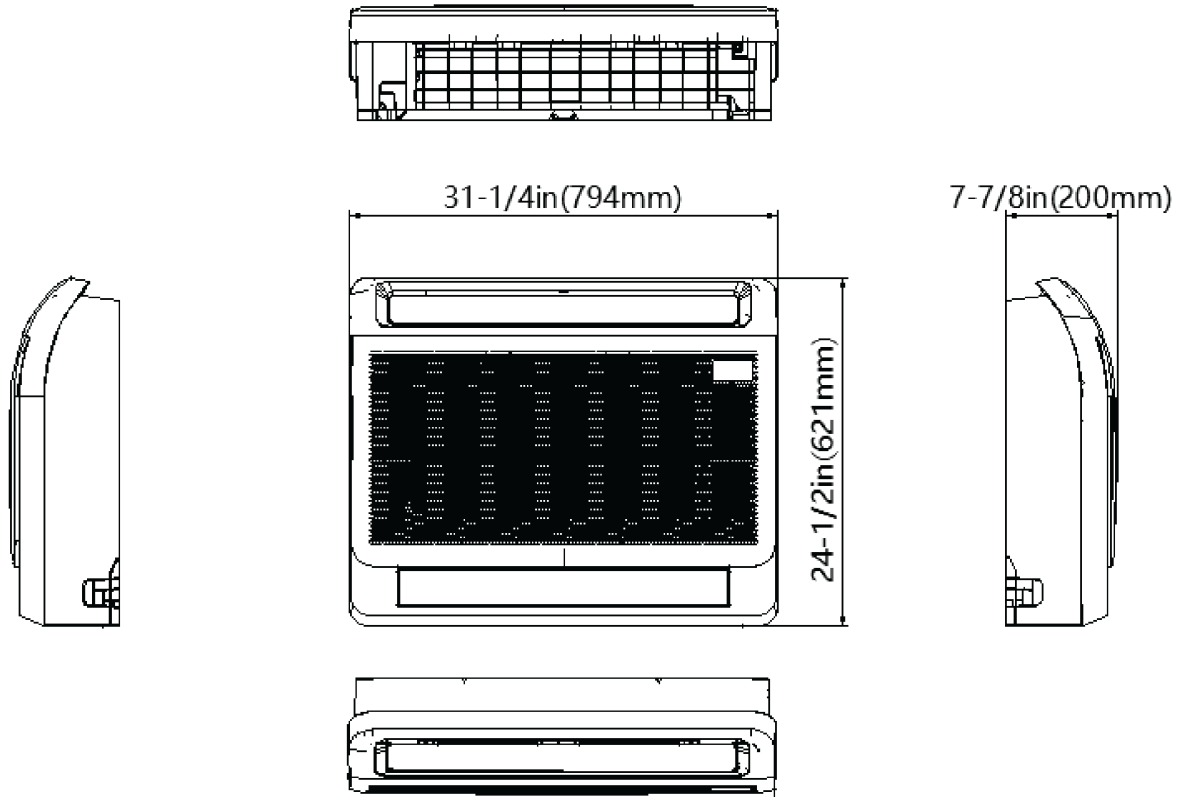
- Double blower wheel
- Refrigerant Sensor
- Auto-Swing for horizontal louvers
- Genius Core ultra-low compressor speed of 12Hz • 46° Freeze Protection
- Smart Kit Ready
- Turbo Mode
- Follow Me Mode
- Smart kit Included

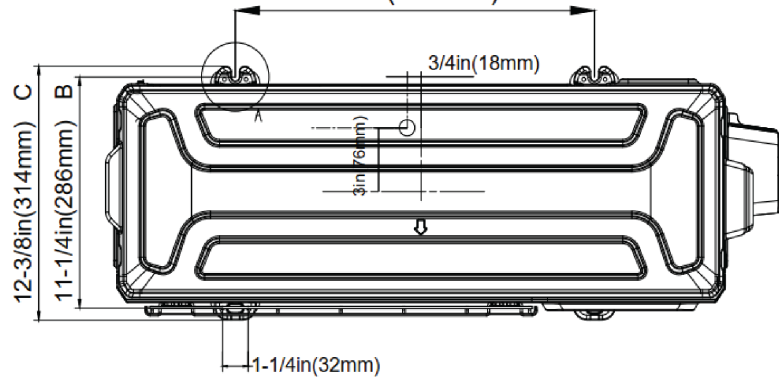
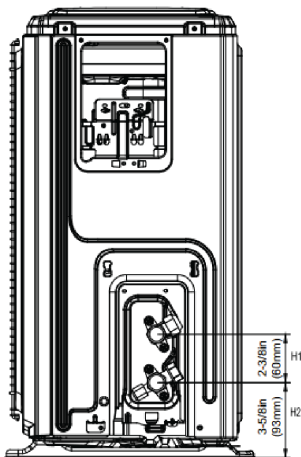
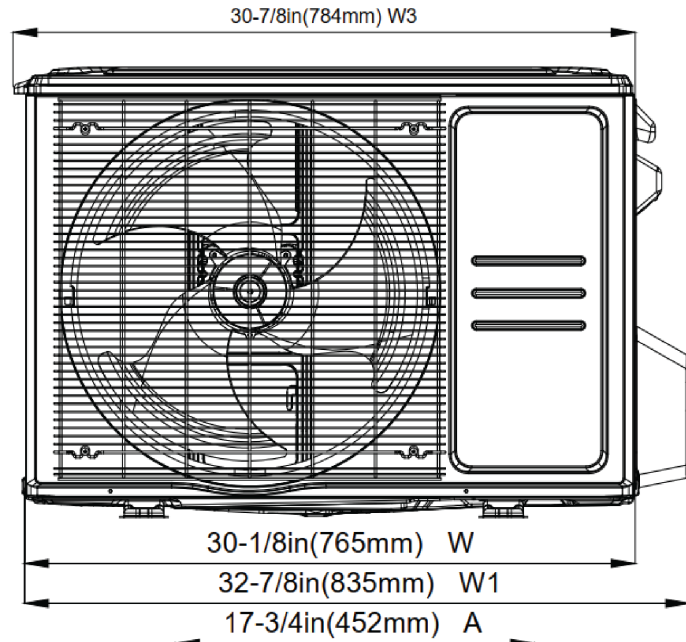
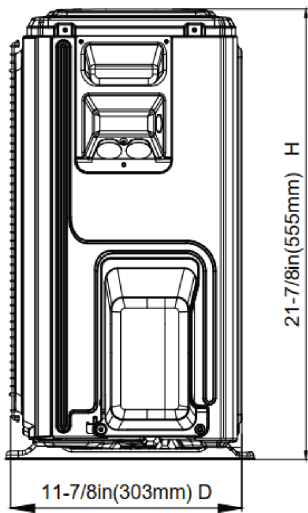
NOTES:



Indoor Model			CH-RSH09MMC
Power supply		V, Ph, Hz	208-230V, 1Ph, 60Hz
Communication wiring			AWG 14-4
Cooling	Capacity	Btu/h	9,000 (3,700~13,700)
	Input	W	592 (190~1,150)
	Rated current	A	4.2 (1.5~5.1)
	EER/EER2	Btu/w	
	SEER/SEER2	Btu/w	
Heating at 47 °F	Capacity	Btu/h	9,000 (4,400~16,100)
	Input	W	595 (255~1,350)
	Rated current	A	4.1 (1.4~5.9)
	COP	W/W	4.43
	HSPF4/HSPF2-4		10.9
	HSPF5/HSPF2-5		8.9
Indoor fan motor		Qty	2
		Input (W)	13
		RLA (A)	0.5
Indoor air flow (Turbo/Hi/Med/Lo) (No duct)		CFM	441.4 / 376.7 / 323.7 / 188.4
ESP (range)		In.wg.	/
Indoor noise level (Hi/Med/Lo)		dB(A)	41/37.5/25.5
Dehumidification		Pnt/H	1.71
Indoor unit	Dimensions (WxDxH)	inch	31.26 x 7.87 x 24.45
	Packing (WxDxH)	inch	34.06 x 11.02 x 28.31
	Net/Gross weight	lbs	32.85/41.89
Drainage water pipe diameter		inch	5/8"
Refrigerant piping (Liquid side/Gas side)		inch	1/4"/3/8"
Design pressure		PSIG	550/340
Controller			remote controller
Room temperature	Cooling	F	60~90
	Heating	F	32~86

Outdoor Model			CH-RHP09-230VO
Power supply		V, Ph, Hz	208-230V, 1Ph, 60Hz
Min. circuit ampacity		A	15
Max. fuse		A	15
Compressor	Model		KTN110D42UFZ
	Type		ROTARY
	Brand		GMCC
	Capacity	Btu/h	11.82
	Input	W	885
	Rated current (RLA)	A	10.4
	Refrigerant oil	oz	VG74 11.8
Outdoor fan motor	Qty		1
	Input	W	34
	RLA	A	0.6
	Speed	r/min	850/680/450
Outdoor air flow (Max)		CFM	1,471.5
Outdoor noise level (Max)		dB(A)	55.5
Throttle type			EXV
Outdoor unit	Dimensions (WxDxH)	inch	31.69 x 12.99 x 21.81
	Packing (WxDxH)	inch	36.02 x 14.57 x 24.21
	Net/Gross weight	lbs	72.75/78.70
Refrigerant	Type		R454B
	Precharge	ft	25
Additional charge for 1/4 inch liquid pipe		oz	0.16
Additional charge for 3/8 inch liquid pipe		oz	
Refrigerant piping	Liquid side/Gas side	inch	1/4"/3/8"
	Max. pipe length	ft	82
	Max. difference in level	ft	49.2
Ambient temperature	Cooling	F	-22 ~ 122
	Heating	F	-22~75





DETAIL A
SCALE 1:2

