

**Job Name:** \_\_\_\_\_

**Location:** \_\_\_\_\_

**Engineer:** \_\_\_\_\_

**Submitted to:** \_\_\_\_\_

**Submitted by:** \_\_\_\_\_

**Reference:** \_\_\_\_\_

**Date:** \_\_\_\_\_

**Approval:** \_\_\_\_\_

**Construction:** \_\_\_\_\_

**Unit #:** \_\_\_\_\_

**Drawing #:** \_\_\_\_\_

### KEY FEATURES:

- Double blower wheel
- Refrigerant Sensor
- Auto-Swing for horizontal louvers
- Genius Core ultra-low compressor speed of 12Hz • 46° Freeze Protection
- Smart Kit Ready
- Turbo Mode
- Follow Me Mode
- Smart kit Included

### NOTES:

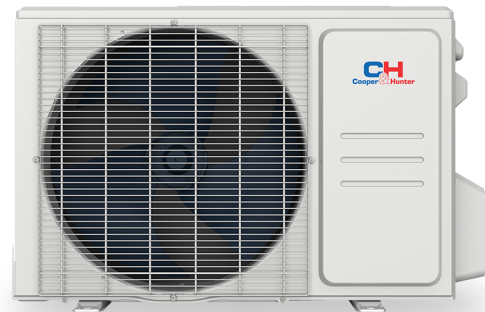
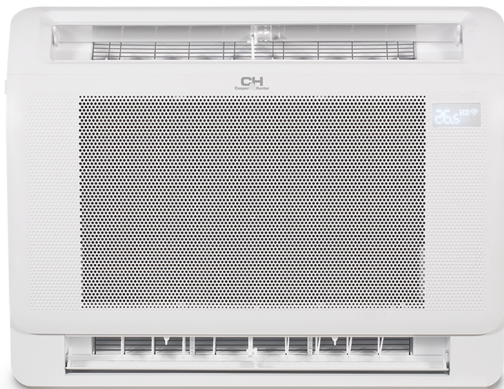
\_\_\_\_\_

\_\_\_\_\_

\_\_\_\_\_

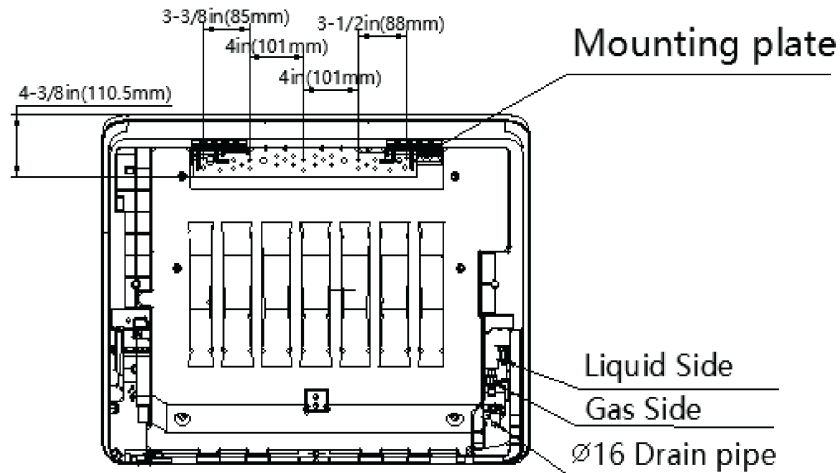
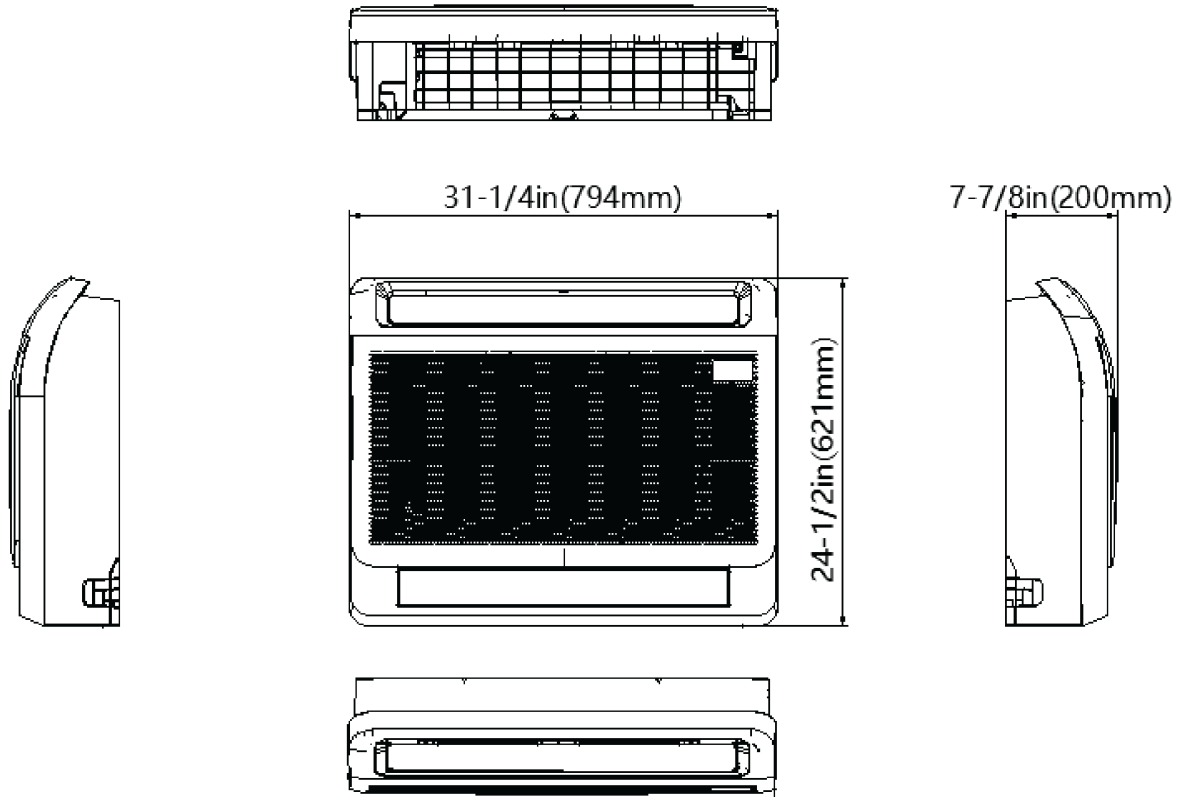
\_\_\_\_\_

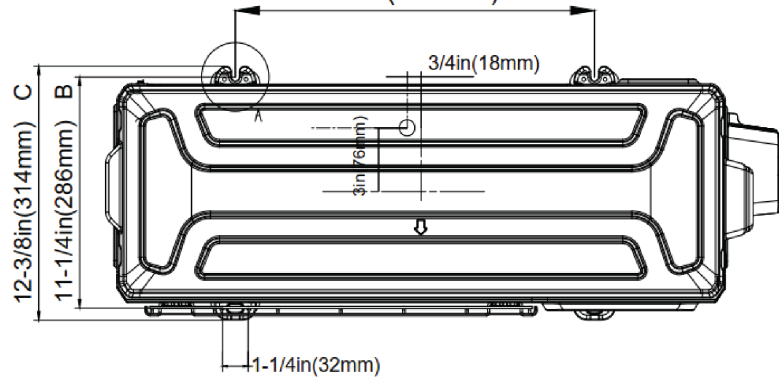
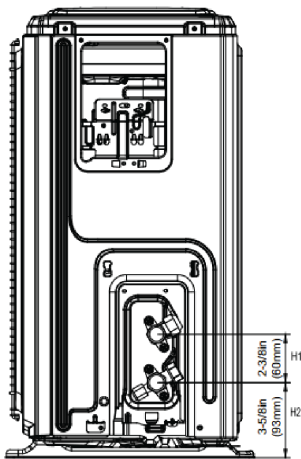
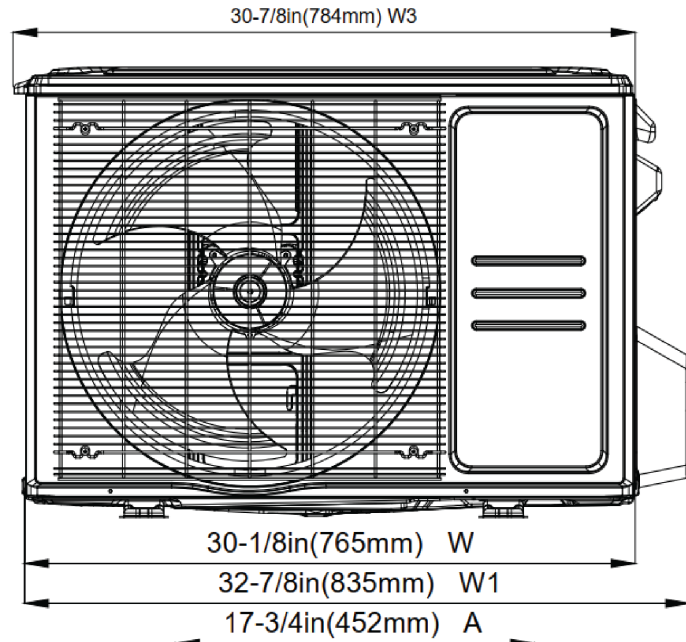
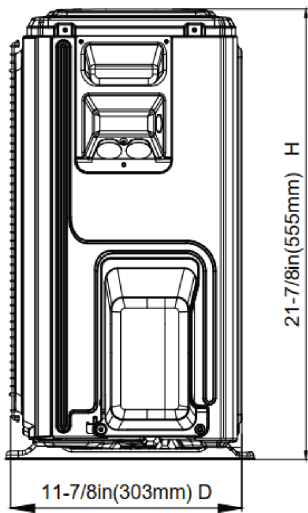
\_\_\_\_\_



Indoor Model			CH-RSH09MMC
Power supply		V, Ph, Hz	208-230V, 1Ph, 60Hz
Communication wiring			AWG 14-4
Cooling	Capacity	Btu/h	9,000 (4,000~12,900)
	Input	W	552 (200~980)
	Rated current	A	4.2 (1.6~4.4)
	EER/EER2	Btu/w	
	SEER/SEER2	Btu/w	
Heating at 47 °F	Capacity	Btu/h	9,000 (5,100~12,700)
	Input	W	606 (265~1,110)
	Rated current	A	4.6 (1.5~4.9)
	COP	W/W	4.35
	HSPF4/HSPF2-4		13.9
	HSPF5/HSPF2-5		10
Indoor fan motor		Qty	2
		Input (W)	13
		RLA (A)	0.5
Indoor air flow (Turbo/Hi/Med/Lo) (No duct)		CFM	441.4 / 376.7 / 323.7 / 188.4
ESP (range)		In.wg.	/
Indoor noise level (Hi/Med/Lo)		dB(A)	39/34.5/29.5
Dehumidification		Pnt/H	01.06
Indoor unit	Dimensions (WxDxH)	inch	31.26 x 7.87 x 24.45
	Packing (WxDxH)	inch	34.06 x 11.02 x 28.31
	Net/Gross weight	lbs	32.85/41.89
Drainage water pipe diameter		inch	5/8"
Refrigerant piping (Liquid side/Gas side)		inch	1/4"/3/8"
Design pressure		PSIG	550/340
Controller			remote controller
Room temperature	Cooling	F	60~90
	Heating	F	32~86

Outdoor Model		CH-RES09-230VO	
Power supply	V, Ph, Hz	208-230V, 1Ph, 60Hz	
Min. circuit ampacity	A	12	
Max. fuse	A	15	
Compressor	Model	KSK103D33UEZ3	
	Type	ROTARY	
	Brand	GMCC	
	Capacity	Btu/h	11.1
	Input	W	826
	Rated current (RLA)	A	7.3
	Refrigerant oil	oz	VG74 10.5
Outdoor fan motor	Qty	1	
	Input	W	34
	RLA	A	0.6
	Speed	r/min	800/700/600
Outdoor air flow (Max)	CFM	1,236.1	
Outdoor noise level (Max)	dB(A)	54.5	
Throttle type			EXV
Outdoor unit	Dimensions (WxDxH)	inch	30.12 x 11.93 x 21.85
	Packing (WxDxH)	inch	34.92 x 13.27 x 24.02
	Net/Gross weight	lbs	62.17/67.68
Refrigerant	Type	R454B	
	Precharge	ft	25
Additional charge for 1/4 inch liquid pipe	oz	0.16	
Additional charge for 3/8 inch liquid pipe	oz		
Refrigerant piping	Liquid side/Gas side	inch	1/4"/3/8"
	Max. pipe length	ft	82
	Max. difference in level	ft	49.2
Ambient temperature	Cooling	F	-13 ~ 122
	Heating	F	-13~75





**DETAIL A**  
**SCALE 1:2**

