

Job Name: _____
Location: _____
Engineer: _____
Submitted to: _____
Submitted by: _____
Reference: _____

Date: _____
Approval: _____
Construction: _____
Unit #: _____
Drawing #: _____



Performance and efficiency

Cooling		Heating	
30,000 (11,200~40,000)		33,000(9,700~35,800)	
SEER/SEER2	17.2/17.2	COP	3.54
EER/EER2	12/12	HSPF2-4	10.8
		HSPF2-5	8.8

Operational temperature

Indoor		Outdoor	
Cooling	Heating	Cooling	Heating
60~90	32~86	-22 ~ 122	-22~75



This warranty should be registered on our website www.cooperandhunter.us within 60 days of installation. The warranty is only valid when installed by a Licensed HVAC Technician. A warranty period of Seven (7) years on compressor to the original registered end-user. A warranty period of Five (5) years on all parts to the original registered end-user. Warranty applies only to products remaining in their original installation location.

INDOOR UNIT FEATURES:

- ◆ ADAPTIVE MULTI-VOLTAGE - 115V & 208-230V
- ◆ M-COIL
- ◆ TU1 COPPER TUBES
- ◆ SYMMETRIC FAN BLOWER DESIGN
- ◆ TURBO MODE
- ◆ SLIMMER INDOOR UNITS
- ◆ AUXILIARY HEATER
- ◆ REFRIGERANT LEAK SENSORS
- ◆ FAST COOL/HEAT FUNCTION
- ◆ ALUMINIUM COIL
- ◆ WIRED THERMOSTAT CONTROLLER INCLUD
- ◆ SMART BUILT-IN KIT
- ◆ TRUE MULTI-POSITION AIR HANDLER
- ◆ SLEEP MODE
- ◆ GOLD FIN

OUTDOOR UNIT FEATURES:

- ◆ Inverter technology
- ◆ Variable speed (fan motor & compressor)
- ◆ Heating operation in temperatures to -22 °F
- ◆ 3-Minute restart delay
- ◆ Self-diagnosis
- ◆ Drain pan heater and compressor heating belt
- ◆ Auto restart function
- ◆ Defrost
- ◆ High-efficiency pipes
- ◆ High-frequency racer technology
- ◆ Intelligent dusting switch
- ◆ Gold fin

INCLUDED ACCESSORIES:

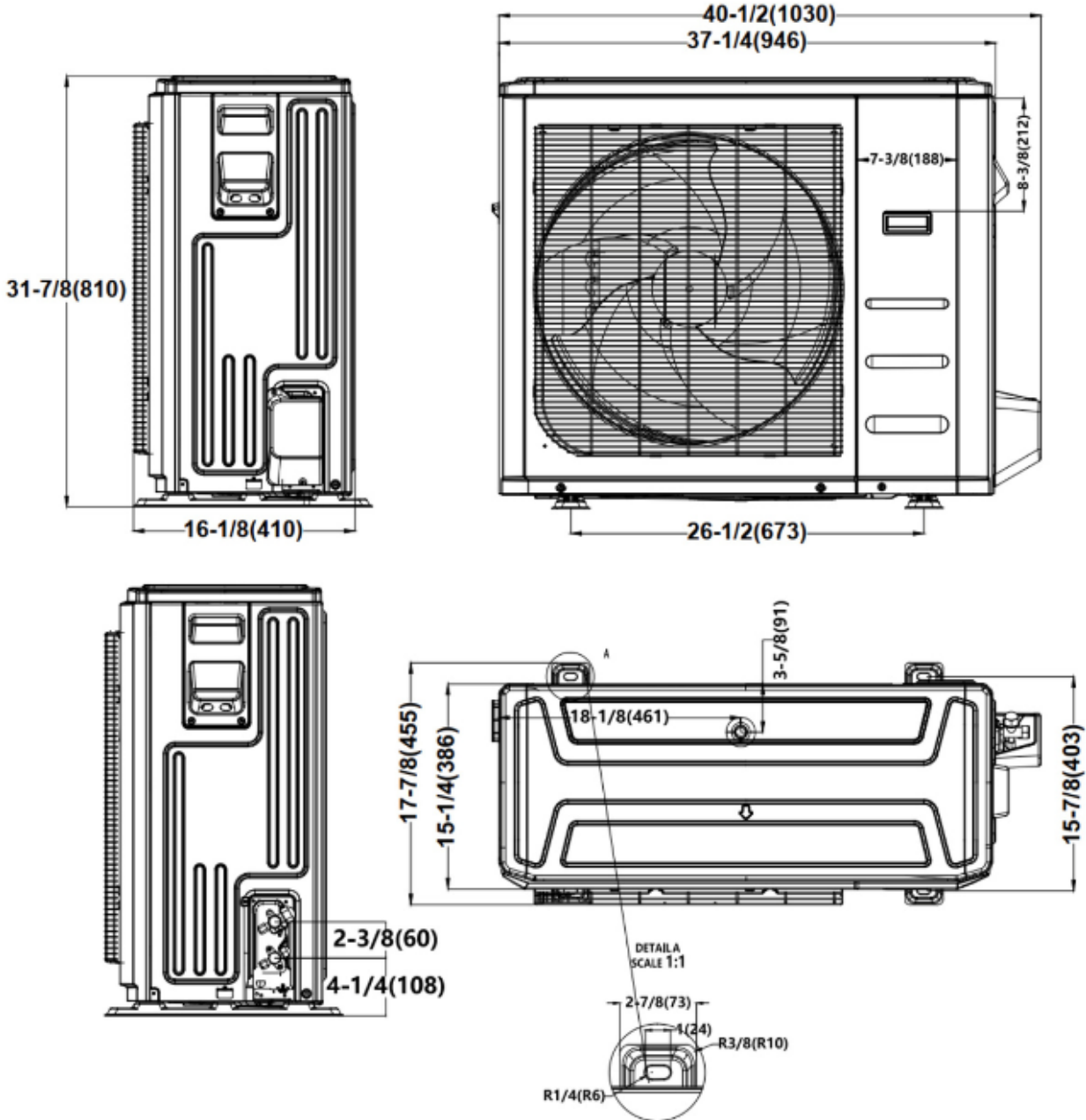
- ◆ Wireless remote
- ◆ Wired thermostat

Indoor Model		CH-PQ33AHU	
Power supply		V, Ph, Hz	115V or 208-230V, 1Ph, 60Hz
Voltage range		V	187-253
Connection wiring			AWG 20-2
Cooling	Capacity	Btu/h	30,000 (11,200~40,000)
	Input	w	2,480 (1,020~3,880)
	Rated current	A	11.4 (4.8~17.1)
	EER/EER2	Btu/w	12/12
	SEER/SEER2	Btu/w	17.2/17.2
Heating at 47 °F	Capacity	Btu/h	33,000(9,700~35,800)
	Input	kW	2,730 (580~3,030)
	Rated current	A	12.3 (3.2~13.5)
	COP	W/W	3.54
	HSPF2-4	Btu/w	10.8
	HSPF2-5	Btu/w	8.8
Min. circuit ampacity for 230V		A	8.0/6.0
Max. fuse		A	15
Indoor fan motor	Qty		1
	Input	w	/
	RLA	A	4.5
Indoor air flow (Turbo/Hi/Med/Lo) (No duct)		CFM	988.8 / 894.7 / 806.4 / 712.2
ESP	Range	ln.wg.	0-1.2
Indoor noise level (Hi/Med/Lo)		dB(A)	47/45.5/31.5
Dehumidification		pnt/h	6.6
Indoor unit	Dimensions (WxDxH)	in	17.52 x21.50 x 53.98
	Packing (WxDxH)	in	20.47 x 31.10 x57.09
	Net/Gross weight	lbs	149.25/182.10
Drainage water pipe diameter		in	1"
Refrigerant piping	Liquid side/Gas side	in	3/8"/3/4"
Controller			wire controller + remote controller available
Room temperature	Cooling	F	60~90
	Heating	F	32~86

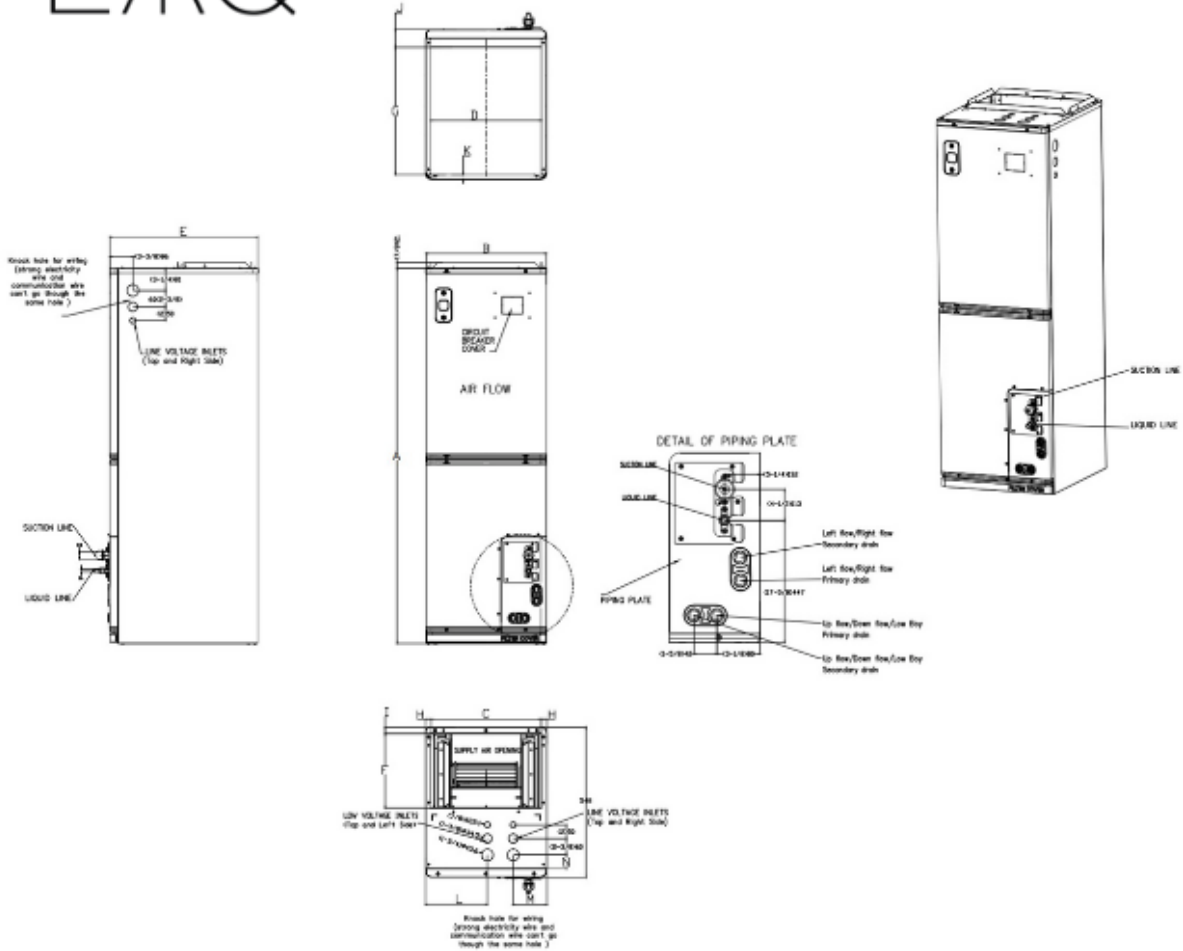
NOTE: Static Pressure values may vary when adding the auxiliary heater.

Outdoor Model		CH-PQ33-230VO	
Power supply	V, Ph, Hz	208-230V	
Min. circuit ampacity	A	29.5	
Max. fuse	A	30	
Compressor	Model	MTH356UKRC8FQL	
	Type	ROTARY	
	Brand	HIGHLY	
	Capacity	Btu/h	35,300
	Input	W	3,200
	Refrigerant oil	oz	HAF68D1A 44
Outdoor fan motor	Qty	1	
	Input	W	120
	RLA	A	1
	Speed	r/min	950/950/850/750
Outdoor air flow (Max)	CFM	3,001.9	
Outdoor noise level (Max)	dB(A)	62	
Outdoor unit	Dimensions (WxDxH)	in	37.24 x 16.14 x 31.89
	Packing (WxDxH)	in	42.91 x 19.68 x 34.84
	Net/Gross weight	lbs	166.67/176.37
Refrigerant	Type/Quantity	oz	R454B / 105.82
Refrigerant precharge		ft	25
Additional charge for each ft		oz	0.7
Refrigerant piping	Liquid side/Gas side	in	3/8"/3/4"
	Max. pipe length	ft	164
	Max. difference in level	ft	82
Ambient temperature	Cooling	F	-22 ~ 122
	Heating	F	-22~75

PEAQ



PEAQ



Dimensions		Model(Btu/h)	18K/24K		30K/36K		48K/54K	
			inch	mm	inch	mm	inch	mm
A	Model Height		49-3/4	1263	54	1371	56	1421
B	Model Width		14-1/2	368	17-1/2	445	21-1/2	546
C	Supply Air Opening Width		12-7/8	328	16	405	19-7/8	506
D	Return Air Opening Width		13	331	16	407	20	509
E	Model Depth		21-1/2	546	21-1/2	546	21-1/2	546
F	Supply Air Opening Depth		10-5/8	271	10-5/8	271	10-5/8	271
G	Return Air Opening Depth		18-1/4	465	18-1/4	465	18-1/4	465
H	Supply Air Opening Clearance		7/8	22	7/8	22	7/8	22
I	Supply Air Opening Clearance		1	24	1	24	1	24
J	Return Air Opening Front Clearance		2-1/2	65	2-1/2	65	2-1/2	65
K	Return Air Opening Back Clearance		3/4	18	3/4	18	3/4	18
L	Top cover knock hole		/	/	9	229	10-7/8	275
M	Top cover knock hole		4-1/2	113	4-7/8	124	5-1/8	131
N	Top cover knock hole		2	51	2	51	1-5/8	41
O	Refrigerant piping flareconnection(gas)		3/4	19	3/4	19	3/4	19
P	Refrigerant piping flareconnection(liquid)		3/8	9	3/8	9	3/8	9