

9600 SERIES (WPV-N)



Specifications

| Model | BTU | Width | Depth | Height | A.F.U.E. |
|--------------|---------|---------|---------|--------|---------------------------------------|
| WPV035T2AA-N | 35,000 | 17 1/2" | 29 1/2" | 34" | Up to 96.0% Certified through AHRI |
| WPV050T3AA-N | 53,000 | | | | |
| WPV070T3AA-N | 70,000 | | | | |
| WPV070T4BA-N | | | | | |
| WPV090T5BA-N | 88,000 | 22 1/2" | | | |
| WPV105T5BA-N | 105,000 | | | | |
| WPV120T5BA-N | 120,000 | | | | |

Features and Benefits



The 9600 Series High Efficiency Gas Furnace may be installed in four positions, alcove or closet installations that require zero clearance. Certified by CSA for application in Canada and the United States.

- High efficiency variable speed ECM Blower Motor
- T140 Aluminized Wrinkle Bent Primary Heat Exchanger Tubes
- 29-4C Stainless Steel Heat Recovery Coil
- Aluminized Multi-Port In-Shot Burners
- Self Diagnostic Integrated Furnace Control
- Zero clearance in all positions
- Flexfit: upflow, downflow, horizontal left and horizontal right
- Premium hot surface igniter
- Direct and Single Vent installation approved
- Concentric Venting Approved
- One Propane Conversion Kit
- Canada High Altitude: 0 - 4,500ft (1372m)
- US High Altitude: 0 - 5,400ft (1646m)
- 100% Units factory fired
- Flexible Condensate Trap mounting for easy service
- Clear Front Manifold Cover
- Modular heating and blower for easy service
- Sealed Vestibule and Blower Compartments for quiet operation
- Low fire is 70 % (60% for 120BTU model) of high fire rate
- High flow rate condensate drain
- Can be used for new construction heat
- Optional UV light installation

Model Breakdown

W P V 050 T 3 AA-N

- Wolf Steel Gas Furnace
- S = Standard
P = Premium
U = Ultimate
- X = Multispeed
V = Variable speed
- Input Capacity
035 = 35,000 Btuh
050 = 53,000 Btuh
070 = 70,000 Btuh
090 = 88,000 Btuh
105 = 105,000 Btuh
120 = 120,000 Btuh
- Napoleon
- Design Level
- Cabinet Size
A = 17.5" wide
B = 22.5" wide
- Airflow Tonnage
2 = 2 Tons
3 = 3 Tons
4 = 4 Tons
5 = 5 Tons
- S = Single Stage
T = Two Stage
M = Modulating

Annual Fuel Utilization Efficiency (AFUE)
Gas- or Propane-fired forced-air furnace
with a high efficiency motor

THIS MODEL
96.0

90% 98%

Residential Furnaces
DOE 10 CFR Part 430

Product information provided is not complete and is subject to change without notice. Please consult the installation manual for the most up to date installation information.

Quality System Certified To
ISO
9001-2015
W415-3076 / 02.03.22

9600 SERIES (WPV-N)



HEATING CAPACITIES

| | | | | | | | |
|------------------------|--------------|--------------|--------------|--------------|--------------|--------------|--------------|
| 9600 SERIES | WPV035T2AA-N | WPV050T3AA-N | WPV070T3AA-N | WPV070T4BA-N | WPV090T5BA-N | WPV105T5BA-N | WPV120T5BA-N |
| MOTOR | Variable | Variable | Variable | Variable | Variable | Variable | Variable |
| EFFICIENCY (AFUE) | 96.0% | 96.0% | 96.0% | 96.0% | 96.0% | 96.0% | 96.0% |
| HIGH FIRE INPUT BTU/HR | 35,000 | 53,000 | 70,000 | 70,000 | 88,000 | 105,000 | 120,000 |
| LOW FIRE INPUT BTU/HR | 24,000 | 37,000 | 49,000 | 49,000 | 61,000 | 73,000 | 72,000 |

AIRFLOW COOLING

| | | | | | | | |
|-------------|-----------|--------------|--------------|-------------|-------------|-------------|-------------|
| BLOWER SIZE | 112-6RDD | 112-8RDD | 112-8RDD | 112-10RDD | 112-10RDD | 112-10RDD | 112-10RDD |
| MOTOR SIZE | 1/3 HP | 1/2HP | 1/2HP | 3/4HP | 1HP | 1HP | 1HP |
| AC TONNAGES | 1½, 2, 2½ | 1½, 2, 2½, 3 | 1½, 2, 2½, 3 | 2, 2½, 3, 4 | 2½, 3, 4, 5 | 2½, 3, 4, 5 | 2½, 3, 4, 5 |

AIRFLOW (CFM)

TABLE 11A - AIRFLOW (W1-LOW HEAT)

| | WPV035T2AA-N | WPV050T3AA-N | WPV070T3AA-N | WPV070T4BA-N | WPV090T5BA-N | WPV105T5BA-N | WPV120T5BA-N |
|-------------|--------------------------|--------------|--------------------------|--------------|--------------------------|--------------|--------------|
| | ESP: 0.10" WC - 0.50" WC | | ESP: 0.12" WC - 0.50" WC | | ESP: 0.20" WC - 0.50" WC | | |
| Heat Jumper | CFM | | | | | | |
| A (MAX) | 395 | 576 | 905 | 748 | 914 | 1156 | 1306 |
| B | N/A | | | | | | |
| C | 348 | 504 | 799 | 656 | 802 | 1018 | 1068 |
| D | 367 | 535 | 852 | 677 | 836 | 1069 | 923 |

NOTE: For more detailed airflow tables, please see available literature on product website.

TABLE 11B - AIRFLOW (W2-HIGH HEAT)

| | WPV035T2AA-N | WPV050T3AA-N | WPV070T3AA-N | WPV070T4BA-N | WPV090T5BA-N | WPV105T5BA-N | WPV120T5BA-N |
|-------------|--------------------------|--------------|--------------------------|--------------|--------------------------|--------------|--------------|
| | ESP: 0.10" WC - 0.50" WC | | ESP: 0.12" WC - 0.50" WC | | ESP: 0.20" WC - 0.50" WC | | |
| Heat Jumper | CFM | | | | | | |
| A (MAX) | 517 | 732 | 1167 | 972 | 1206 | 1526 | 1833 |
| B | N/A | | | | | | |
| C | 466 | 655 | 1031 | 872 | 1083 | 1374 | 1588 |
| D | 492 | 679 | 1099 | 894 | 1120 | 1443 | 1394 |

NOTE: For more detailed airflow tables, please see available literature on product website.

TABLE 11C - AIRFLOW (Y1-LOW COOL)

| | WPV035T2AA-N | | WPV050T3AA-N | | WPV070T3AA-N | | WPV070T4BA-N | | WPV090T5BA-N | | WPV105T5BA-N | | WPV120T5BA-N | |
|-------------|--------------------------|-----|--------------------------|-----|--------------------------|-----|--------------|------|--------------|------|--------------|------|--------------|------|
| | ESP: 0.10" WC - 0.50" WC | | ESP: 0.12" WC - 0.50" WC | | ESP: 0.20" WC - 0.50" WC | | | | | | | | | |
| Cool Jumper | A/C Ton | CFM | A/C Ton | CFM | A/C Ton | CFM | A/C Ton | CFM | A/C Ton | CFM | A/C Ton | CFM | A/C Ton | CFM |
| A | 2.5 | 652 | 3 | 841 | 3 | 873 | 4 | 1109 | 5 | 1366 | 5 | 1366 | 5 | 1366 |
| B | 2 | 515 | 2.5 | 659 | 2.5 | 684 | 3 | 815 | 4 | 1070 | 4 | 1070 | 4 | 1070 |
| C | 1.5 | 363 | 2 | 528 | 2 | 548 | 2.5 | 666 | 3 | 791 | 3 | 791 | 3 | 791 |
| D | N/A | N/A | 1.5 | 397 | 1.5 | 412 | 2 | 540 | 2.5 | 666 | 2.5 | 666 | 2.5 | 666 |

NOTE: For more detailed airflow tables, please see available literature on product website.

TABLE 11D - AIRFLOW (Y1-HIGH COOL)

| | WPV035T2AA-N | | WPV050T3AA-N | | WPV070T3AA-N | | WPV070T4BA-N | | WPV090T5BA-N | | WPV105T5BA-N | | WPV120T5BA-N | |
|-------------|--------------------------|-----|--------------------------|------|--------------------------|------|--------------|------|--------------|------|--------------|------|--------------|------|
| | ESP: 0.10" WC - 0.50" WC | | ESP: 0.12" WC - 0.50" WC | | ESP: 0.20" WC - 0.50" WC | | | | | | | | | |
| Cool Jumper | A/C Ton | CFM | A/C Ton | CFM | A/C Ton | CFM | A/C Ton | CFM | A/C Ton | CFM | A/C Ton | CFM | A/C Ton | CFM |
| A | 2.5 | 988 | 3 | 1274 | 3 | 1323 | 4 | 1680 | 5 | 2070 | 5 | 2070 | 5 | 2070 |
| B | 2 | 781 | 2.5 | 999 | 2.5 | 1037 | 3 | 1235 | 4 | 1621 | 4 | 1621 | 4 | 1621 |
| C | 1.5 | 550 | 2 | 800 | 2 | 831 | 2.5 | 1009 | 3 | 1199 | 3 | 1199 | 3 | 1199 |
| D | N/A | N/A | 1.5 | 601 | 1.5 | 624 | 2 | 818 | 2.5 | 1009 | 2.5 | 1009 | 2.5 | 1009 |

NOTE: For more detailed airflow tables, please see available literature on product website.

9600 SERIES (WPV-N)



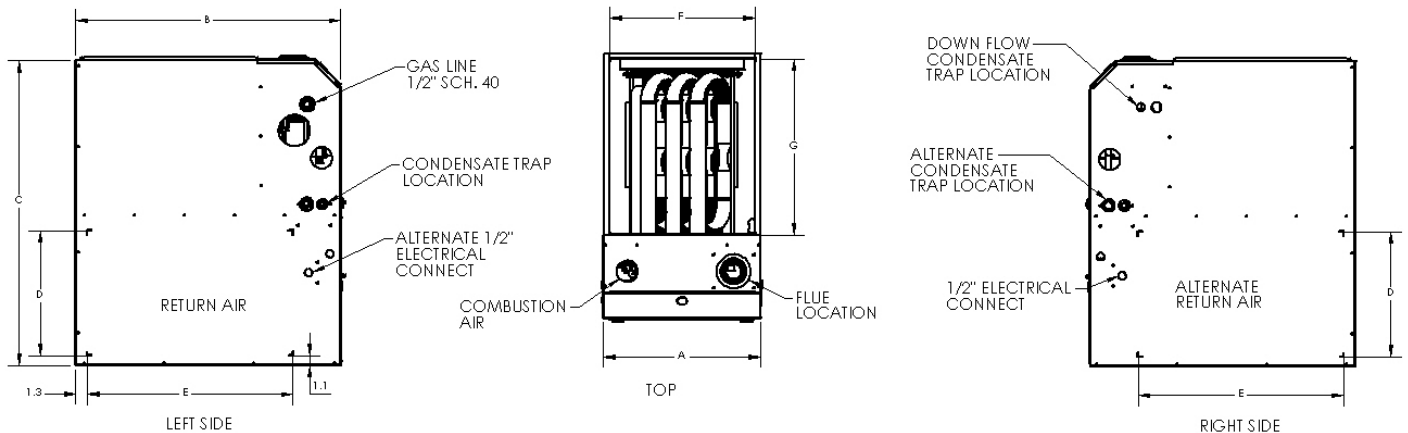
Cabinet Dimensions

TABLE A - FURNACE DIMENSIONS

| INPUT K/Btu/hr | Width A | Depth B | Height C | Supply Air (F x G) | Return Air (D x E) |
|-------------------|--------------------|--------------------|----------------|--------------------------------------|------------------------------|
| 35 | 17 1/2" (445mm) | 29 1/2" (749mm) | 34" (864mm) | 16 1/4" x 19 5/8" (413mm x 499mm) | 14" x 23" (356mm x 584mm) |
| 50 | | | | | |
| 70-3 | | | | | |
| 70-4 | 22 1/2" (572mm) | | | 21 1/4" x 19 5/8" (540mm x 499mm) | |
| 90 | | | | | |
| 105 | | | | | |
| 120* | | | | | |

***NOTE:** If the airflow requirements exceed 1800 cfm, models will require air openings and filters on:

- both sides, OR
- one side and the bottom, OR
- just the bottom



Venting

In Canada:

Furnace must be vented with ULC S636 PVC manufactured by IPEX, Royal Building Products (GVS-65 & GVS90), M&G Duravent (PPE) or Centrotherm (InnoFlue).

In United States:

- Schedule 40 PVC, ASTM D1785 or CSA B137.3
- PVC-DWV, ASTM D2665 or CSA B181.2
- Schedule 40 CPVC, ASTM F441 or CSA 137.6
- PVC Primer and Solvent Cement: ASTM D2564
- PPE ULC S636 manufactured by M&G Duravent - must terminate using 45 and 90 degree elbows, or a tee.

EQUIVALENTS:

Short Radius Elbow = 7 ft (2.13m)
 Standard Radius Elbow = 5 ft (1.52m)
 Long Radius Elbow = 3 ft (0.91m)
 45 Degree Elbow = 2.5 ft (0.76m)
 Tee

Vent lengths that require more than 6-90° elbows, add listed equivalents for every elbow up to the maximum allowable vent length.

Warranty

PRESIDENT'S LIMITED WARRANTY (Registered)

To the original registered owner and his or her spouse ("owner"), the **HEAT EXCHANGER*** is warranted for the owner's **LIFETIME** or so long as the owner owns the home in which the unit was originally installed, and **all remaining parts** as warranted for a period of **10 YEARS**, except as provided below. These warranties apply only if:

- The unit is installed in an owner-occupied, primary single family residence, and
- The unit is properly registered with Napoleon online within 60 days after the original installation. To register, go to www.napoleonheatingandcooling.com. Some states and provinces do not allow limitations on how long an implied limited warranty lasts or do not allow the exclusion or limitation of incidental or consequential damages, so the above limitation or exclusion may not apply to you. This limited warranty gives you specific legal rights, and you may also have other rights which vary by jurisdiction.

With respect to the Heat Exchanger, if the heat exchanger fails within:

- the first 10 years for 9500 / 9600 Series
- the first 15 years for 9700 Series

Napoleon will, at its discretion, provide a new equivalent gas furnace. After the 10 years (15 years - 9700 Series), Napoleon may choose to credit its prorated wholesale value towards the purchase of a new Napoleon furnace.

OR

LIMITED WARRANTY (Not Registered)

If not registered within 60 days, the **HEAT EXCHANGER** is warranted for a period of **20 YEARS** (pro rated), and all remaining parts are warranted for a period of **5 YEARS**, all other limitations apply.

With respect to the heat exchanger, Napoleon at its discretion, after 5 years may choose to provide a credit towards a replacement Napoleon gas furnace.

SÉRIES 9600 (WPV-N)



Spécifications

| Modèle | BTU | Largeur | Profondeur | Hauteur | A.F.U.E. |
|--------------|---------|---------|------------|---------|--|
| WPV035T2AA-N | 35 000 | 17 1/2" | 29 1/2" | 34" | De 96,0% certifié selon les normes AHRI |
| WPV050T3AA-N | 53 000 | | | | |
| WPV070T3AA-N | 70 000 | | | | |
| WPV070T4BA-N | | | | | |
| WPV090T5BA-N | 88 000 | 22 1/2" | | | |
| WPV105T5BA-N | 105 000 | | | | |
| WPV120T5BA-N | 120 000 | | | | |

Caractéristiques et Avantages



La série de fournaise aux gaz 9600 à haut rendement peut être installée dans quatre positions, et dans des alcôves ou des placards qui nécessitent un dégagement zéro. Homologuée par CSA pour des applications au Canada et aux États-Unis.

- Moteur ECM à vitesse variable d'haute efficacité de la soufflerie
- Tubes d'échangeur de chaleur primaire avec courbures à plis aluminisés T140
- Serpentin récupérateur de chaleur en acier inoxydable 29-4C
- Brûleurs aluminisés à orifices multiples et allumage simultané
- Contrôle de fournaise intégré à autodiagnostic
- Dégagement zéro dans toutes les positions
- Flexfit: évacuation ascendante, descendante, évacuation horizontale à droite et horizontale à gauche
- Allumeur de surface chaude prime
- Approuvé comme système à évacuation directe et à évacuation simple
- Approuvé pour un système d'évents concentriques
- Un ensemble de conversion au propane
- Haute Altitude Canada: 4 500 pi (1372 m)
- Haute Altitude États-Unis: 5 400 pi (1646 m)
- 100% des unités sont allumées en usine
- Montant du purgeur de vapeur d'eau flexible pour un entretien simple
- Couvercle de collecteur avant transparent
- Chauffage et soufflerie modulaire pour l'entretien simple
- Cabinet inférieur et compartiment de soufflerie scellés pour un fonctionnement silencieux
- Feu bas qui fonctionne à 70% (60% pour modèle 120BTU) de la capacité max.
- Tuyau d'écoulement de débit haut
- Peut être utiliser pour chauffage de nouvelle construction
- Installation optionnel du lumière UV

Détails des Modèles

W P V 050 T 3 AA-N

Fournaise à gaz
Wolf Steel

S = Standard
P = Deluxe
U = Ultimate

X = Vitesse multiple
V = Vitesse variable

Capacité d'entrée
035 = 35 000 btuh
050 = 53 000 Btuh
070 = 70 000 Btuh
090 = 88 000 Btuh
105 = 105 000 Btuh
120 = 120 000 Btuh

Napoleon

Niveau de conception

Cabinet Size
A = 17.5" wide
B = 22.5" wide

Tonnes (débit d'air)
2 = 2 tonnes
3 = 3 tonnes
4 = 4 tonnes
5 = 5 tonnes

S = Une étape
T = Deux étapes
M = Modulant

Canada

ENERGUIDE

Efficacité annuelle de l'utilisation de combustible (AFUE) - Générateur d'air chaud au gaz et au propane d'un moteur à haut rendement

CE MODÈLE
96.0

90%
98%

Information du produit fourni n'est pas complet et est sujet de changer sans préavis. Consultez le manuel d'installation pour information d'installation actuel.

SÉRIES 9600 (WPV-N)



CAPACITÉS DE CHAUFFAGE

| | | | | | | | |
|-------------------|--------------|--------------|--------------|--------------|--------------|--------------|--------------|
| SÉRIES 9600 | WPV035T2AA-N | WPV050T3AA-N | WPV070T3AA-N | WPV070T4BA-N | WPV090T5BA-N | WPV105T5BA-N | WPV120T5BA-N |
| MOTEUR | Variable | Variable | Variable | Variable | Variable | Variable | Variable |
| EFFICACITÉ (AFUE) | 96.0% | 96.0% | 96.0% | 96.0% | 96.0% | 96.0% | 96.0% |
| DÉBIT HF BTU/H | 35,000 | 53,000 | 70,000 | 70,000 | 88,000 | 105,000 | 120,000 |
| DÉBIT LF BTU/H | 24,000 | 37,000 | 49,000 | 49,000 | 61,000 | 73,000 | 72,000 |

DÉBIT D'AIR ET REFROIDISSEMENT

| | | | | | | | |
|-------------------------|-----------|--------------|--------------|-------------|-------------|-------------|-------------|
| TAILLE DE LA SOUFFLERIE | 112-6RDD | 112-8RDD | 112-8RDD | 112-10RDD | 112-10RDD | 112-10RDD | 112-10RDD |
| TAILLE DU MOTEUR | 1/3 HP | 1/2HP | 1/2HP | 3/4HP | 1HP | 1HP | 1HP |
| AC TONNAGES | 1½, 2, 2½ | 1½, 2, 2½, 3 | 1½, 2, 2½, 3 | 2, 2½, 3, 4 | 2½, 3, 4, 5 | 2½, 3, 4, 5 | 2½, 3, 4, 5 |

DÉBIT D'AIR (CFM)

TABLEAU 11A - DÉBIT D'AIR (W1-FAIBLE CHALEUR)

| | WPV035T2AA-N | WPV050T3AA-N | WPV070T3AA-N | WPV070T4BA-N | WPV090T5BA-N | WPV105T5BA-N | WPV120T5BA-N |
|----------------|--------------------------|--------------|--------------------------|--------------|--------------------------|--------------|--------------|
| | ESP: 0.10" WC - 0.50" WC | | ESP: 0.12" WC - 0.50" WC | | ESP: 0.20" WC - 0.50" WC | | |
| Pull thermique | CFM | | | | | | |
| A (MAX) | 395 | 576 | 905 | 748 | 914 | 1156 | 1306 |
| B | N/A | | | | | | |
| C | 348 | 504 | 799 | 656 | 802 | 1018 | 1068 |
| D | 367 | 535 | 852 | 677 | 836 | 1069 | 923 |

NOTE: Pour des tableaux de débit d'air plus détaillés, veuillez consulter la documentation disponible sur le site Web du produit.

TABLEAU 11B - DÉBIT D'AIR (W2-CHALEUR ÉLEVÉE)

| | WPV035T2AA-N | WPV050T3AA-N | WPV070T3AA-N | WPV070T4BA-N | WPV090T5BA-N | WPV105T5BA-N | WPV120T5BA-N |
|----------------|--------------------------|--------------|--------------------------|--------------|--------------------------|--------------|--------------|
| | ESP: 0.10" WC - 0.50" WC | | ESP: 0.12" WC - 0.50" WC | | ESP: 0.20" WC - 0.50" WC | | |
| Pull thermique | CFM | | | | | | |
| A (MAX) | 517 | 732 | 1167 | 972 | 1206 | 1526 | 1833 |
| B | N/A | | | | | | |
| C | 466 | 655 | 1031 | 872 | 1083 | 1374 | 1588 |
| D | 492 | 679 | 1099 | 894 | 1120 | 1443 | 1394 |

NOTE: Pour des tableaux de débit d'air plus détaillés, veuillez consulter la documentation disponible sur le site Web du produit.

TABLEAU 11C - DÉBIT D'AIR (Y1-BAS FROID)

| | WPV035T2AA-N | | WPV050T3AA-N | | WPV070T3AA-N | | WPV070T4BA-N | | WPV090T5BA-N | | WPV105T5BA-N | | WPV120T5BA-N | |
|-----------|--------------------------|-----|--------------------------|-----|--------------------------|-----|--------------|------|--------------|------|--------------|------|--------------|------|
| | ESP: 0.10" WC - 0.50" WC | | ESP: 0.12" WC - 0.50" WC | | ESP: 0.20" WC - 0.50" WC | | | | | | | | | |
| Pull cool | A/C Ton | CFM | A/C Ton | CFM | A/C Ton | CFM | A/C Ton | CFM | A/C Ton | CFM | A/C Ton | CFM | A/C Ton | CFM |
| A | 2.5 | 652 | 3 | 841 | 3 | 873 | 4 | 1109 | 5 | 1366 | 5 | 1366 | 5 | 1366 |
| B | 2 | 515 | 2.5 | 659 | 2.5 | 684 | 3 | 815 | 4 | 1070 | 4 | 1070 | 4 | 1070 |
| C | 1.5 | 363 | 2 | 528 | 2 | 548 | 2.5 | 666 | 3 | 791 | 3 | 791 | 3 | 791 |
| D | N/A | N/A | 1.5 | 397 | 1.5 | 412 | 2 | 540 | 2.5 | 666 | 2.5 | 666 | 2.5 | 666 |

NOTE: Pour des tableaux de débit d'air plus détaillés, veuillez consulter la documentation disponible sur le site Web du produit.

TABLEAU 11D - DÉBIT D'AIR (Y1-ÉLEVÉ FROID)

| | WPV035T2AA-N | | WPV050T3AA-N | | WPV070T3AA-N | | WPV070T4BA-N | | WPV090T5BA-N | | WPV105T5BA-N | | WPV120T5BA-N | |
|-----------|--------------------------|-----|--------------------------|------|--------------------------|------|--------------|------|--------------|------|--------------|------|--------------|------|
| | ESP: 0.10" WC - 0.50" WC | | ESP: 0.12" WC - 0.50" WC | | ESP: 0.20" WC - 0.50" WC | | | | | | | | | |
| Pull cool | A/C Ton | CFM | A/C Ton | CFM | A/C Ton | CFM | A/C Ton | CFM | A/C Ton | CFM | A/C Ton | CFM | A/C Ton | CFM |
| A | 2.5 | 988 | 3 | 1274 | 3 | 1323 | 4 | 1680 | 5 | 2070 | 5 | 2070 | 5 | 2070 |
| B | 2 | 781 | 2.5 | 999 | 2.5 | 1037 | 3 | 1235 | 4 | 1621 | 4 | 1621 | 4 | 1621 |
| C | 1.5 | 550 | 2 | 800 | 2 | 831 | 2.5 | 1009 | 3 | 1199 | 3 | 1199 | 3 | 1199 |
| D | N/A | N/A | 1.5 | 601 | 1.5 | 624 | 2 | 818 | 2.5 | 1009 | 2.5 | 1009 | 2.5 | 1009 |

NOTE: Pour des tableaux de débit d'air plus détaillés, veuillez consulter la documentation disponible sur le site Web du produit.

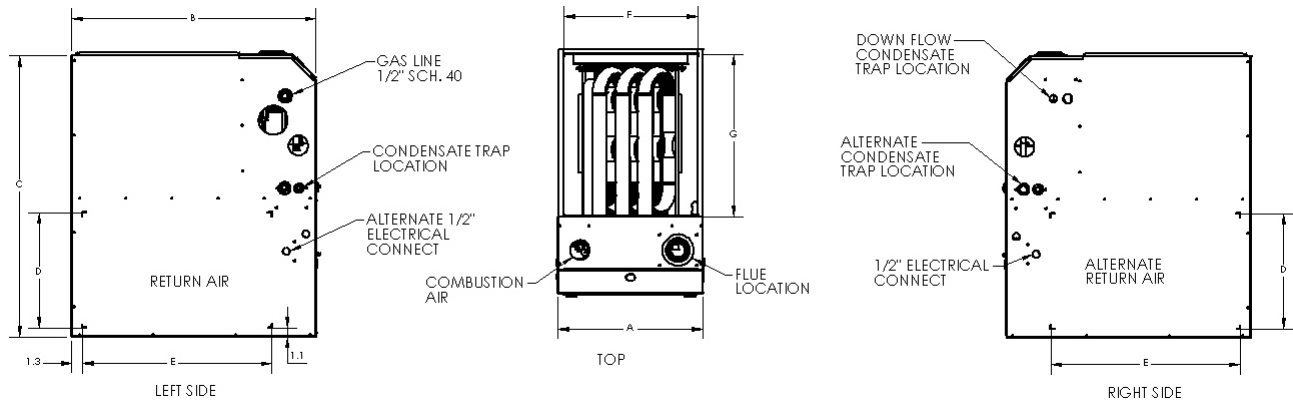
Dimensions du Caisson

TABLEAU A - DIMENSIONS DE LA FOURNAISE

| DÉBIT K/Btu/hr | Largeur A | Profondeur B | Hauteur C | Sortie d'air (F x G) | Retour d'air (D x E) |
|-------------------|--------------------|--------------------|----------------|--------------------------------------|------------------------------|
| 35 | 17 1/2" (445mm) | 29 1/2" (749mm) | 34" (864mm) | 16 1/4" x 19 5/8" (413mm x 499mm) | 14" x 23" (356mm x 584mm) |
| 50 | | | | | |
| 70-3 | | | | | |
| 70-4 | 22 1/2" (572mm) | | | 21 1/4" x 19 5/8" (540mm x 499mm) | |
| 90 | | | | | |
| 105 | | | | | |
| 120* | | | | | |

***NOTE:** Si les exigences du débit d'air dépassent 1800 cfm, les modèles vont devoir d'ouvertures et de filtres à air:

- sur les deux côtés, OU
- sur un côté et dans le bas, OU
- seulement dans le bas.



Évacuation

En Canada:

La fournaise doit être ventilée avec des conduits de PVC homologués ULC S636 fabriqués par IPEX, Royal Building Products (GVS-65 et GVS90), M&G Duravent (PPE) ou Centrotherm (InnoFlue).

Aux États-Unis:

- Schedule 40 PVC, ASTM D1785 ou CSA B137.3
- PVC-DWV, ASTM D2665 ou CSA B181.2
- Schedule 40 CPVC, ASTM F441 ou CSA 137.6
- PVC Primer and Solvent Cement: ASTM D2564
- PPE ULC S636 fabriqué par M&G Duravent - la terminaison doit utiliser des coudes de 45 et 90 degrés, ou un té.

ÉQUIVALENCES:

Coude court de rayon = 7' (pieds) (2,13m)
 Rayon standard coude = 5' (pieds) (1,52m)
 Long rayon coude = 3' (pieds) (0,91m)
 45 Degree Elbow = 2,5' (pieds) (0,76m)
 Té

Les longuers d'évent qui nécessitent plus de 6-90° revêtues, ajouter cotées équivalents pour chaque coude jusqu'à la longueur maximale autorisée.

Garantie

GARANTIE LIMITÉE DU PRÉSIDENT (enregistrée)

L'ÉCHANGEUR DE CHALEUR* est garanti au propriétaire initial enregistré et à son ou sa conjoint(e) (« propriétaire ») pendant toute la DURÉE DE VIE du propriétaire ou tant que le propriétaire possède la maison dans laquelle l'appareil a été originalement installé. **Tous les autres composants** sont garantis pour **10 ANS**, sous réserve des conditions ci-dessous. Ces garanties sont applicables uniquement si :

- L'appareil est installé dans une résidence unifamiliale principale habitée par le propriétaire, et
- Si l'appareil est enregistré adéquatement en ligne auprès de Napoléon dans les soixante (60) jours suivant l'installation originale. Pour procéder à l'enregistrement, rendez-vous à www.napoleonheatingandcooling.com. Certains États ou provinces n'autorisent pas de limitations sur la durée d'une garantie limitée implicite ni n'autorisent l'exclusion ou la limitation de dommages accessoires ou consécutifs. Par conséquent, vous n'êtes peut-être pas concerné par la limitation ou l'exclusion décrite ci-dessus. Cette garantie vous donne des droits légaux précis, et vous pourriez avoir d'autres droits, lesquels varient d'une juridiction à l'autre.

Concernant l'échangeur de chaleur, si ce dernier fait défaut durant :

- les 10 premières années pour les séries 9500 / 9600
- les 15 premières années pour la série 9700

Napoléon fournira, à sa discrétion, une fournaise à gaz équivalente neuve. Après 10 ans (15 ans pour la série 9700), Napoléon peut décider d'offrir un crédit équivalent à la valeur de gros proportionnelle, lequel sera applicable à l'achat d'une fournaise Napoléon neuve.

OU

GARANTIE LIMITÉE (non enregistrée)

Si la garantie n'est pas enregistrée dans les soixante (60) jours, l'échangeur de chaleur sera garanti pendant 20 ANS (proportionnel) et tous les autres composants seront garantis pendant 5 ANS, toutes les autres limitations étant applicables.

Concernant l'échangeur de chaleur, après cinq (5) ans, Napoléon peut, à sa discrétion, décider d'offrir un crédit qui s'appliquera à l'achat d'une nouvelle fournaise à gaz Napoléon.