

Technical Specifications



13.4 & 14.3 SEER2 SPLIT SYSTEM AIR CONDITIONERS

Certified to CSA C22.2 No. 60335-2-40:17

FEATURES AND BENEFITS



- 13.4 and 14.3 SEER2 efficiencies
- Capacities ranging from 1.5 tons to 5.0 tons
- Environmentally friendly R-410A refrigerant
- High Efficiency Compressors
- Micro-Channel Condenser
- Swept Fan Blades
- Permanently lubricated PSC motor
- Motor assembly is removable from top of unit
- Service valves and refrigerant connections are located outside the cabinet for easy accessibility and servicing
- Electrical connections are accessible through a removable service panel

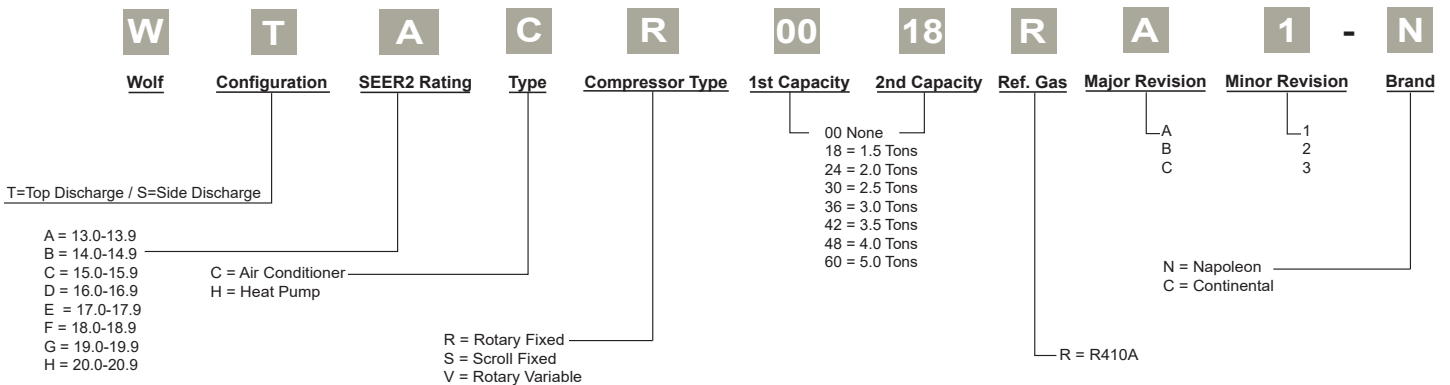
Advanced micro-channel coil technology

Napoleon Air Conditioners are made with superior micro-channel condenser coils that wrap around the inside of air conditioner and house the refrigerant. The coils are compact, allowing for a smaller air conditioner size while using substantially less refrigerant. The condenser coils are all aluminum, easy to maintain and are less susceptible to corrosion as are the bimetal tube and fin coils.

Environmentally Responsible

Napoleon air conditioners are made with the environmentally conscious, chlorine-free refrigerant R-410A. By using a refrigerant that is chlorine-free, Napoleon air conditioners do not contribute to ozone depletion.

NOMENCLATURE



COMPONENTS

1. SIDE PANELS

- Vertical extruded slots on the side panels protect the interior of Napoleon air conditioner while allowing the right amount of air flow
- Powder coated cabinet panels withstanding 1000 hours of salt spray testing

2. MICRO-CHANNEL COILS

- Compact all-aluminum coils allow for smaller air conditioner size

3. VENTURI

- Integral to the housing, a deep venturi is used in conjunction with the swept fan blade to provide more efficient air flow

4. SWEEP FAN BLADES

- Contoured blades provide quieter operation
- Produces efficient air flow
- Fans are made up of 4 or 2 fan blades to accommodate the unit cooling capacity

5. SCROLL COMPRESSOR

- Industry leading compressor brand
- Low vibration and quiet operation
- Contains built-in safety features

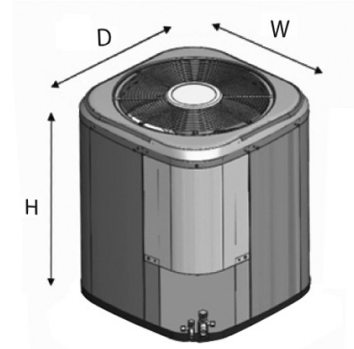
6. ROTARY COMPRESSOR OPTION (in 13.4 SEER2 1.5-3 ton models)



13.4 SEER2 SPECIFICATIONS

DIMENSIONS

NOM SIZE	MODEL	W (INCH)	D (INCH)	H (INCH)	WEIGHT (LBS)
1.5 TONS	WTACR0018RA1	24	24	27	150
1.5 TONS	WTACS0018RA1				
2.0 TONS	WTACR0024RA1				
2.0 TONS	WTACS0024RA1				
2.5 TONS	WTACR0030RA1	29 1/2	29 1/2	38 7/8	180
2.5 TONS	WTACS0030RA1				
3.0 TONS	WTACR0036RA1				
3.0 TONS	WTACS0036RA1				
3.5 TONS	WTACS0042RA1				
4.0 TONS	WTACS0048RA1				
5.0 TONS	WTACS0060RA1			47 7/8	250



13.4 SEER2

ELECTRICAL

DESCRIPTION	WTACR0018RA1	WTACS0018RA1	WTACR0024RA1	WTACS0024RA1	WTACR0030RA1	WTACS0030RA1	WTACR0036RA1	WTACS0036RA1	WTACR0042RA1	WTACS0042RA1	WTACR0048RA1	WTACS0048RA1	WTACR0060RA1	WTACS0060RA1
Compressor Type	Rotary	Scroll	Rotary	Scroll	Rotary	Scroll	Rotary	Scroll	Scroll					
Volt - Hz - Phase	208/230 - 60 - 1													
Compressor LRA (A)	34	56.3	50	62.9	58	67.8	71	72.2	109	123.9	152.5			
Compressor RLA (A)	6.7	9	8.25	10.9	9.9	12.8	13.6	14.1	16.7	17	23.7			
Fan BladeDia./qty blades	18" / 4						24" / 2							
Condenser Fan FLA/HP/RPM rated	0.7 / 1/8 / 1075						0.8 / 1/6 / 850	0.8 / 1/6 / 850				1.1 / 1/5 / 850		
MCA	9	12	11	14.3	13	16.8	18.1	18.4	21.7	22.1	30.7			
Max. Fuse/Breaker (A)	15	20	15	25	20	25	30		35		50			

LINE SET

DESCRIPTION	WTACR0018RA1	WTACS0018RA1	WTACR0024RA1	WTACS0024RA1	WTACR0030RA1	WTACS0030RA1	WTACR0036RA1	WTACS0036RA1	WTACR0042RA1	WTACS0042RA1	WTACR0048RA1	WTACS0048RA1	WTACR0060RA1	WTACS0060RA1
Liquid Line	3/8"													
Suction Line	3/4"						7/8"							

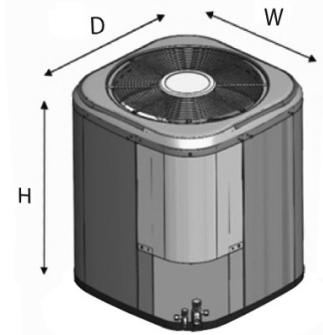
PERFORMANCE

NOM SIZE	MODEL	CAPACITY (BTU/H)	SEER2	EER2	SCFM Indoor Air Coil	REF.	REF. FACTORY CHARGE (OZ)	A-Weighted Sound Power Level dBA
1.5 TONS	WTACR0018RA1	18,600	13.4	11.00	600	R410A	45	69.3
1.5 TONS	WTACS0018RA1	18,600					56	73.9
2.0 TONS	WTACR0024RA1	23,200			800		45	70.38
2.0 TONS	WTACS0024RA1	23,200					58	74.3
2.5 TONS	WTACR0030RA1	28,400			1000		45	73.3
2.5 TONS	WTACS0030RA1	28,400					57	73.9
3.0 TONS	WTACR0036RA1	33,800			1200		63	73.8
3.0 TONS	WTACS0036RA1	33,600					73.5	
3.5 TONS	WTACS0042RA1	37,600			1275		80	73.5
4.0 TONS	WTACS0048RA1	43,500			1575		94	75.6
5.0 TONS	WTACS0060RA1	53,000			1475		95	77.0

14.3 SEER2 SPECIFICATIONS

DIMENSIONS

NOM SIZE	MODEL	W (INCH)	D (INCH)	H (INCH)	WEIGHT (LBS)
1.5 TONS	WTBCS0018RA1	29 1/2	29 1/2	27	180
2.0 TONS	WTBCS0024RA1				
2.5 TONS	WTBCS0030RA1			38 7/8	230
3.0 TONS	WTBCS0036RA1				
3.5 TONS	WTBCS0042RA1				
4.0 TONS	WTBCS0048RA1			47 7/8	250
5.0 TONS	WTBCS0060RA1				



14.3 SEER2

ELECTRICAL

DESCRIPTION	WTBCS0018RA1	WTBCS0024RA1	WTBCS0030RA1	WTBCS0036RA1	WTBCS0042RA1	WTBCS0048RA1	WTBCS0060RA1
Compressor Type	Scroll						
Volt - Hz - Phase	208/230 - 60 - 1						
Compressor LRA (A)	56.3	62.9	67.8	72.2	109	123.9	152.5
Compressor RLA (A)	9	10.9	12.8	14.1	16.7	17	23.7
Fan Blade Dia./qty blades	24" / 2						
Condenser Fan FLA/HP/RPM rated	0.8 / 1/6 / 850					1.1 / 1/5 / 850	
MCA	12	14.4	16.8	18.4	21.7	22.4	30.7
Max. Fuse/Breaker (A)	20	25		30	35		50

LINE SET

DESCRIPTION	WTBCS0018RA1	WTBCS0024RA1	WTBCS0030RA1	WTBCS0036RA1	WTBCS0042RA1	WTBCS0048RA1	WTBCS0060RA1
Liquid Line	3/8"						
Suction Line	3/4"				7/8"		

PERFORMANCE

NOM SIZE	MODEL	CAPACITY (BTU/H)	SEER2	EER2	SCFM Indoor Air Coil	REF.	REF. FACTORY CHARGE (OZ)	A-Weighted Sound Power Level dBA
1.5 TONS	WTBCS0018RA1	18,900	14.3	11.7	600	R410A	61	75.8
2.0 TONS	WTBCS0024RA1	23,800			775		63	73.5
2.5 TONS	WTBCS0030RA1	29,200			1000		86	73.9
3.0 TONS	WTBCS0036RA1	35,200			1200		101	73.5
3.5 TONS	WTBCS0042RA1	41,000			1350		104	73.5
4.0 TONS	WTBCS0048RA1	45,000	13.8	11.5	1600	118	75.0	
5.0 TONS	WTBCS0060RA1	56,000			1750	117	75.5	

NOTE:

ALL NAPOLEON AIR CONDITIONERS SHALL BE INSTALLED WITH PROPERLY MATCHED SYSTEM COMPONENTS LISTED ON AHRI DIRECTORY.



24 Napoleon Road, Barrie, Ontario, Canada L4M 0G8

PHONE: 866-820-8686

Website: www.napoleon.com

General: hvac@napoleon.com

Technical inquiries: hvacsupport@napoleon.com

