

Job Name: _____

Location: _____

Engineer: _____

Submitted to: _____

Submitted by: _____

Reference: _____

Date: _____

Approval: _____

Construction: _____

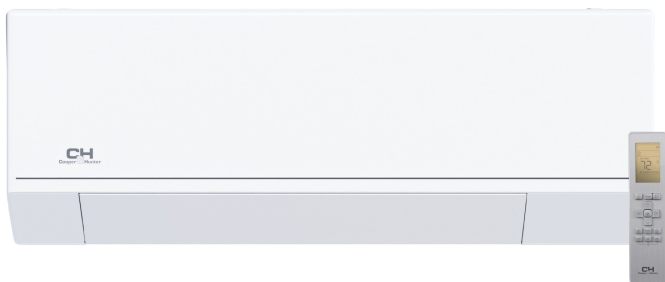
Unit #: _____

Drawing #: _____

KEY FEATURES:

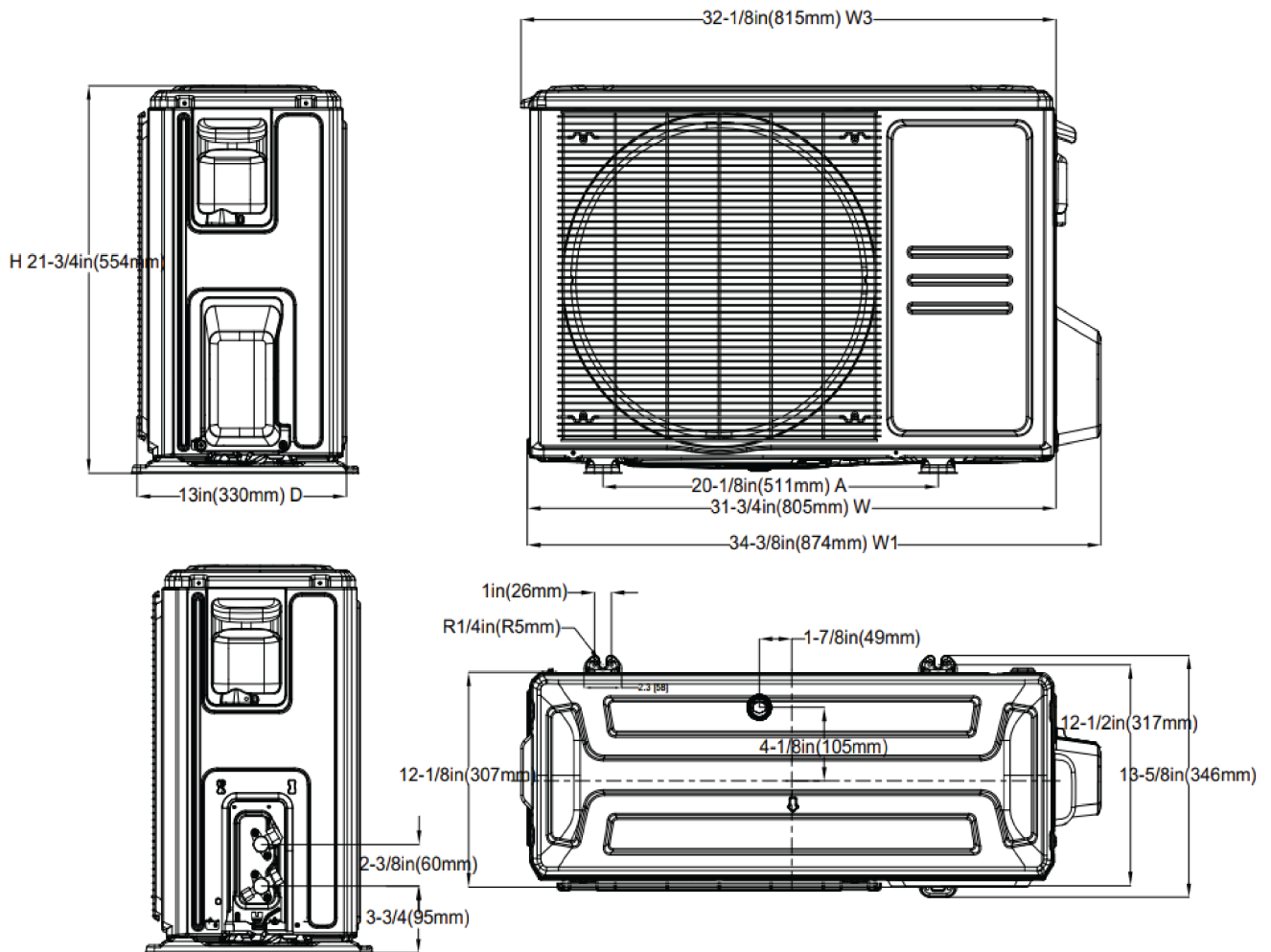
- Can be installed up to 2' from the ceiling
- E-Box and PCB located in the front of the unit with a cover kickstand providing easy access
- Revolutionary design offers convenient disassembly & maintenance with an easy-to-remove blower wheel
- Larger air inlet/outlet for improved air flow
- Auto-Swing for vertical and horizontal louvers
- Easy to remove magnetic filter on top
- Compatible with regular (-13°F) or Hyper (-22°F) outdoor units

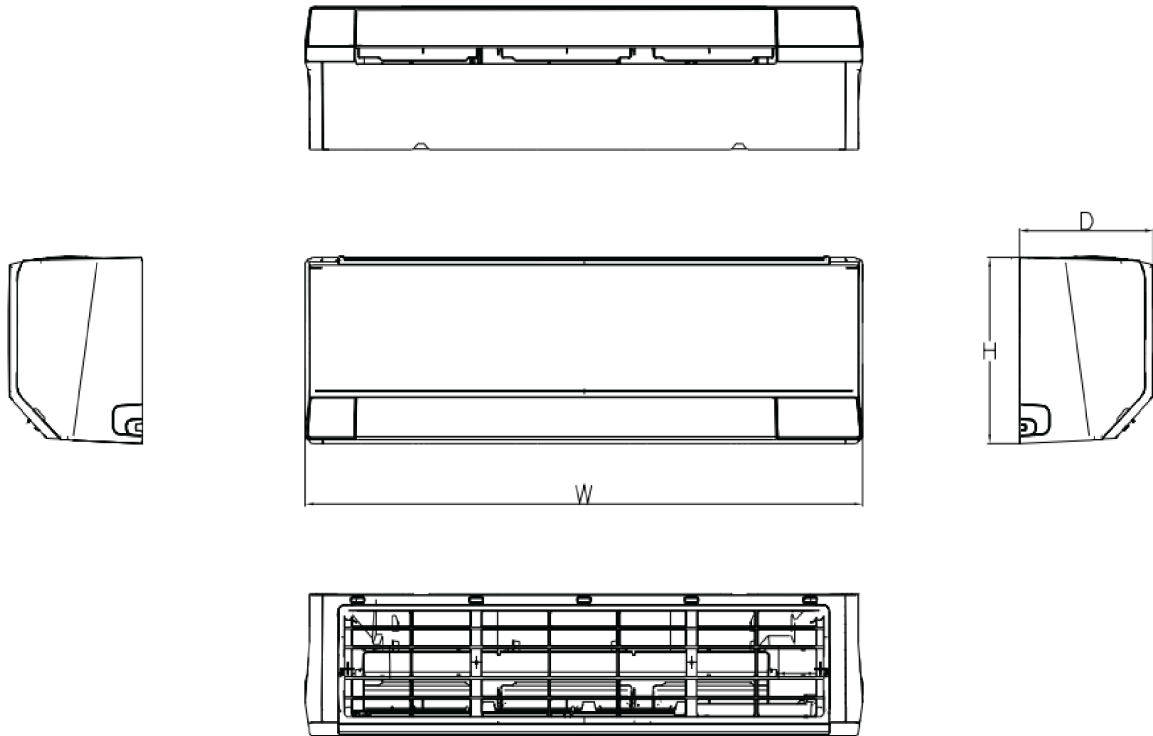
NOTES:



Indoor Model			CH-RH12MASTWM-230VI
Power supply		V, Ph, Hz	208-230V, 1Ph, 60Hz
Communication wiring			AWG 14-4
Cooling	Capacity	Btu/h	12,000 (3,800~14,600)
	Input	W	890 (127~1,250)
	Rated current	A	4 (1.03~5.5)
	EER/EER2	Btu/w	13.4
	SEER/SEER2	Btu/w	25.4
Heating at 47 °F	Capacity	Btu/h	12,000 (3,800~16,000)
	Input	W	935 (225~1,400)
	Rated current	A	4.1 (1.7~6.2)
	COP	W/W	3.76
	HSPF4/HSPF2-4		10.5
	HSPF5/HSPF2-5		8
Indoor fan motor		Qty	1
		Input (W)	20
		RLA (A)	0.5
Indoor air flow (Turbo/Hi/Med/Lo) (No duct)		CFM	441.4 / 323.7 / 229.6 / 176.6
ESP (range)		In.wg.	
Indoor noise level (Hi/Med/Lo)		dB(A)	36.5/32.5/22
Dehumidification		Pnt/H	2.54
Indoor unit	Dimensions (WxDxH)	inch	33.74 x 9.09 x 11.81
	Packing (WxDxH)	inch	36.22x12.20x14.57
	Net/Gross weight	lbs	22.93/29.32
Drainage water pipe diameter		inch	5/8"
Refrigerant piping (Liquid side/Gas side)		inch	1/4"/3/8"
Design pressure		PSIG	550/340
Controller			wire controller + remote controller available
Room temperature	Cooling	F	60~90
	Heating	F	32~86

Outdoor Model			CH-RHP12-230VO
Power supply		V, Ph, Hz	208-230V, 1Ph, 60Hz
Min. circuit ampacity		A	15
Max. fuse		A	15
Compressor	Model		KTN110D42UFZ
	Type		ROTARY
	Brand		GMCC
	Capacity	Btu/h	11,820
	Input	W	885
	Rated current (RLA)	A	10.4
	Refrigerant oil	oz	VG74 11.8
Outdoor fan motor	Qty		1
	Input	W	34
	RLA	A	0.6
	Speed	r/min	780/680/580
Outdoor air flow (Max)		CFM	1,470.6
Outdoor noise level (Max)		dB(A)	56
Throttle type			EXV
Outdoor unit	Dimensions (WxDxH)	inch	31.69 x 12.99 x 21.81
	Packing (WxDxH)	inch	36.02 x 14.57 x 24.21
	Net/Gross weight	inch	72.75/78.70
Refrigerant	Type		R454B
	Precharge	ft	25
Additional charge for 1/4 inch liquid pipe		oz	0.16
Additional charge for 3/8 inch liquid pipe		oz	/
Refrigerant piping	Liquid side/Gas side	inch	1/4"/3/8"
	Max. pipe length	ft	82
	Max. difference in level	ft	49.2
Ambient temperature	Cooling	F	-22 ~ 122
	Heating	F	-22~75





Capacity	Body Code	Unit	W	D	H
6k~12k	B	mm	857	231	300
		inch	33-3/4	9-1/8	11-3/4
18k	C	mm	1024	246	321
		inch	40-1/4	9-3/4	12-5/8
24k~36k	D	mm	1197	280	371
		inch	47-1/8	11	14-5/8